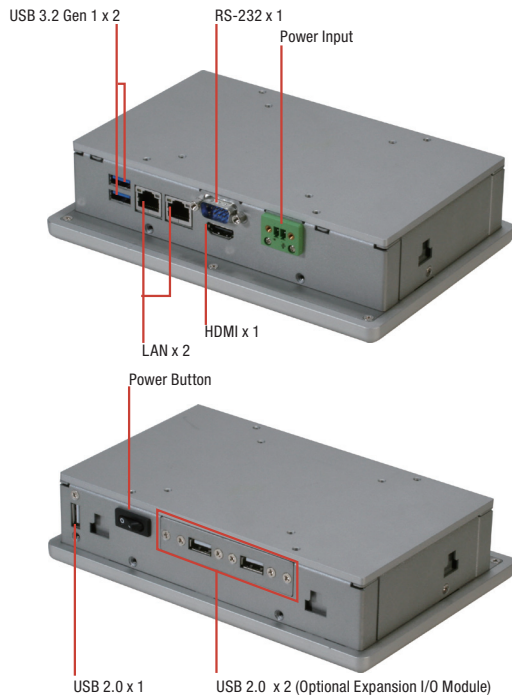
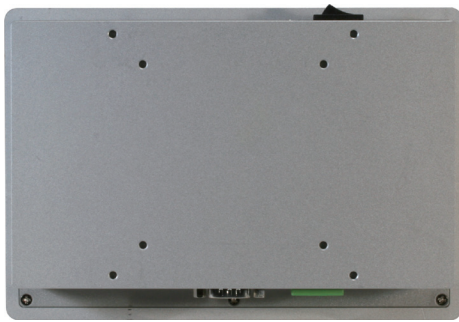


ACP-1076

7" SWXGA Multi-Touch Panel PC with Intel® Pentium® N4200/ Celeron® N3350 Processor, 4 GB RAM



9761107601
USB 2.0 x 2



9761107600
RS-232/422/485 x 2



Features

- 7" WXGA (1024 x 600) Color TFT LCD Display
- Intel® Pentium® N4200/ Celeron® N3350 Processor
- Projected Capacitive Multi Touch (2 Fingers)
- IP65 Compliant Aluminum Front Bezel
- Fanless System
- VESA 75/ Panel Mount Support
- DC 9~30V

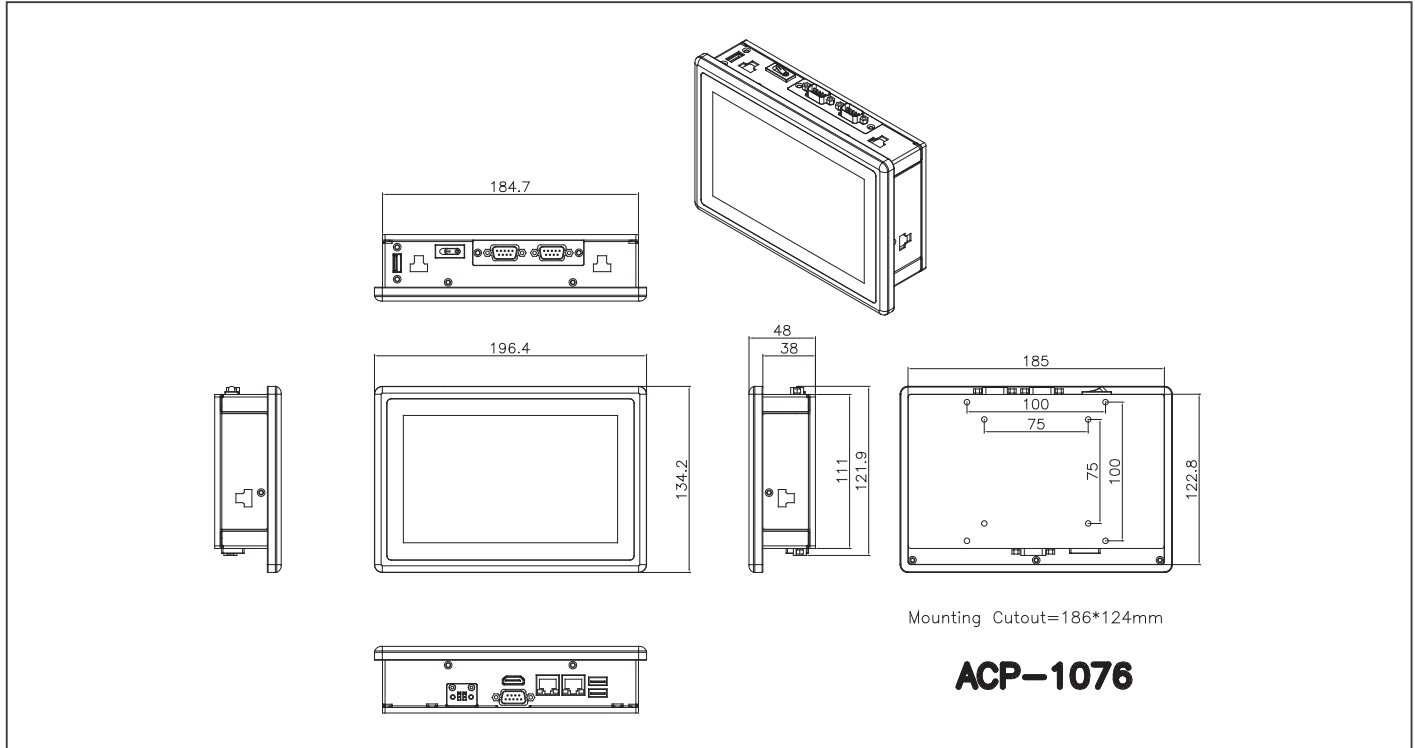


Specifications

System	
Processor	Intel® Pentium®N4200 processor, 1.1 GHz (Quad-Core), Burst frequency 2.5GHz Intel® Celeron® N3350 processor, 1.1 GHz (Dual-Core), Burst frequency 2.4GHz
System Memory	204-pin DDR3L SODIMM x 1, Build-in 4GB, Max. 8GB
LCD/CRT controller	Integrated in processor
Ethernet	10/100/1000 Base-TX, RJ-45 x 2
Bottom I/O Port	DB9 Type RS-232 x 1 USB 3.2 Gen 1 x 2 HDMI x 1 RJ-45 10/100/1000 LAN x 2 2 Pin terminal block for power input
Top I/O Port	Power Button x 1 Type A USB 2.0 x 1 Expansion I/O Slot
Storage Disk Drive	Full Size mSATA x 1
Expansion Slot	Half size mini card x 1 (Internal)
OS support	Windows® 10, Linux Kernel 4.4.0 or higher
Mechanical	
Construction	Aluminum Front Bezel + Metal Chassis
Mounting	VESA 75, Panel Mount
Dimension	7.72" x 5.28" x 1.89" (196 x 134 x 48 mm)
Carton Dimension	10.87" x 9.41" x 6.69" (276 x 239 x 170 mm)
Gross Weight	4.62 lb (2.1 Kg)
Environmental	
Operating Temperature	23°F ~ 122°F (-5°C ~ 50°C) with 0.5 m/s airflow
Storage Temperature	-4°F ~ 158°F (-20°C ~ 70°C)
Storage Humidity	90% @40°C; non-condensing
Vibration	1 Grms/ 5 ~ 500Hz/ operation – with HDD
Shock	15 G peak acceleration (11 msec. duration) – with HDD
EMC	CE/FCC Class A
Power Supply	
DC input	DC 9~30V
LCD	
Display Type	7" TFT-LCD, LED
Max Resolution	1024 x 600
Max. Colors	16.7M
Luminance	320 cd/m ²
Viewing Angle	150° (H), 145° (V)
Back Light	LED
Back Light MTBF (Hours)	20,000
Touch Screen	
Type	P-CAP Touchscreen
Light Transmission	90%

Dimension

Unit: mm



Ordering Information

Part Number	Display Type	Max Resolution	Luminance	View Angle	Backlight MTBF	CPU	LAN	USB 3.2 Gen 1	USB 2.0	RS-232	RS-232 /422/485	Storage	RAM	Display	Expansion	Mounting	Power	Temp.	Touch
ACP-1076HTT-A1-1012	7" TFT-LCD	1024 x 600	320 cd/m ²	150(H) / 145(V)	20,000	Intel® Pentium N4200	2	2	1	1	0	Full Size mSATA x 1	4GB DDR3L RAM Included	HDMI x 1	- Half size mini PCIe slot x 1 - Expansion I/O window x 1	Stand, Panel, VESA 75	DC 9~30V	23°F ~ 122°F (-5°C ~ 50°C) (w/ airflow)	PCAP T/S
ACP-1076HTT-A3-1012	7" TFT-LCD	1024 x 600	320 cd/m ²	150(H) / 145(V)	20,000	Intel® Celeron N3350	2	2	1	1	0	Full Size mSATA x 1	4GB DDR3L RAM Included	HDMI x 1	- Half size mini PCIe slot x 1 - Expansion I/O window x 1	Stand, Panel, VESA 75	DC 9~30V	23°F ~ 122°F (-5°C ~ 50°C) (w/ airflow)	PCAP T/S
ACP-1076HTT-B1-1012	7" TFT-LCD	1024 x 600	320 cd/m ²	150(H) / 145(V)	20,000	Intel® Pentium N4200	2	2	1	1	0	Full Size mSATA x 1	4GB DDR3L RAM Included	HDMI x 1	- Half size mini PCIe slot x 1 with WiFi module installed - Expansion I/O window x 1	Stand, Panel, VESA 75	DC 9~30V	23°F ~ 122°F (-5°C ~ 50°C) (w/ airflow)	PCAP T/S
ACP-1076HTT-B3-1012	7" TFT-LCD	1024 x 600	320 cd/m ²	150(H) / 145(V)	20,000	Intel® Celeron N3350	2	2	1	1	0	Full Size mSATA x 1	4GB DDR3L RAM Included	HDMI x 1	- Half size mini PCIe slot x 1 with WiFi module installed - Expansion I/O window x 1	Stand, Panel, VESA 75	DC 9~30V	23°F ~ 122°F (-5°C ~ 50°C) (w/ airflow)	PCAP T/S

Packing List

- Panel Mount Kit
- VESA Screws
- ACP-1076

Optional Accessories

- **1702031802**
Power Cord (US Type)
- **1702031803**
Power Cord (European Type)
- **170203180E**
Power Cord (Japanese Type)
- **M041073020**
Stand Kit
- **9761107600**
RS-232/422/485 x 2 (Expansion I/O Module)
- **9761107601**
USB 2.0 x 2 (Expansion I/O Module)
- **1255300611**
2 Pin 60W power adapter

Full Size mSATA Storage Device:

- **AP-SS968C008G1N**
Full-sized, 8GB mSATA, MLC, -40°C ~ 85°C
 - **AP-SS968C016G3P**
Full-sized, 16GB mSATA, MLC, -40°C ~ 85°C
 - **AP-SS968C032G3R**
Full-sized, 32GB mSATA, MLC, -40°C ~ 85°C
 - **AP-SS968C064G3F**
Full-sized, 64GB mSATA, MLC, -40°C ~ 85°C
 - **AP-SS968C128G1W**
Full-sized, 128GB mSATA, MLC, -40°C ~ 85°C
 - **9C1128G009**
Full-size, 128GB.mSATA SSD, 3D TLC, -40°C~85°C
 - **9C1256G00B**
Full-size, 256GB.mSATA SSD, 3D TLC, -40°C~85°C
 - **9C1512G004**
Full-size, 512GB.mSATA SSD, 3D TLC, -40°C~85°C
 - **9C1001T005**
Full-size, 1TB.mSATA SSD, 3D TLC, -40°C~85°C
- Note: AAEON factory-installed mSATA HDD is strongly recommended.