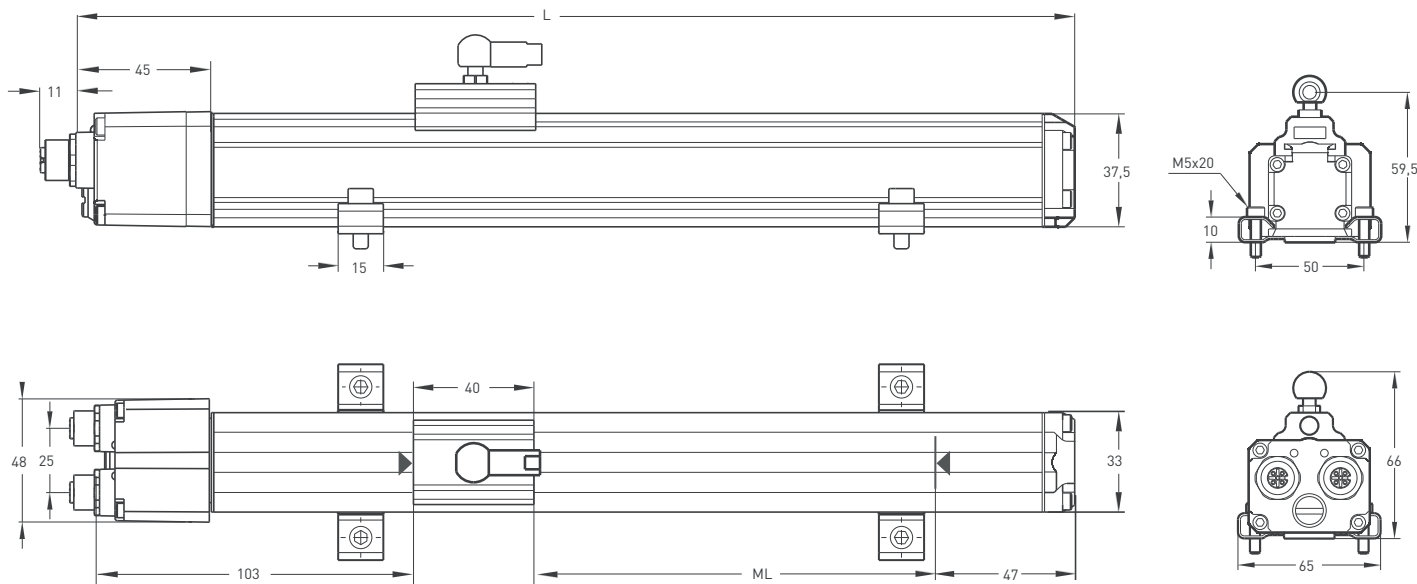




- Measuring range 100 - 5000 mm
- Modbus protocol
- 24 VDC power supply

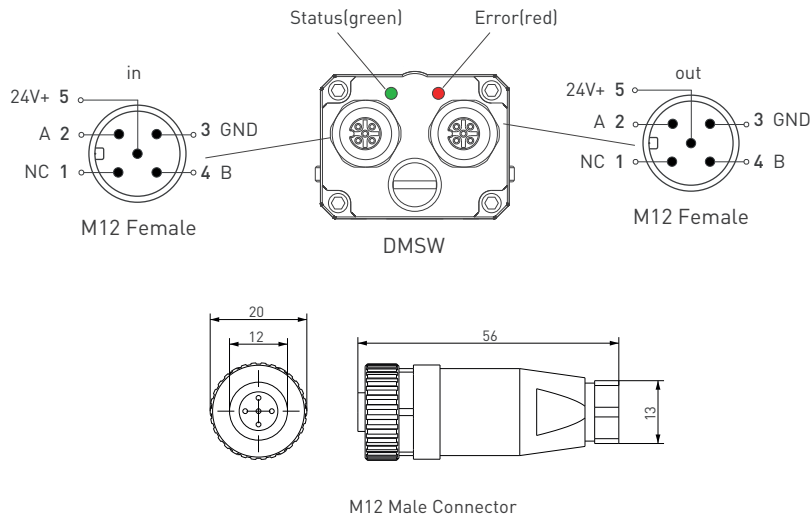
Technical Specifications	
Measurement stroke	100 - 5000 mm
Resolution	25µm (100mm-400mm), 50µm (450mm-3000mm), 100µm (4000mm-5000mm)
Repeatability	100 µm
Output	Modbus
Power supply	24 VDC ±10%
Displacement speed	max. < 5 m/s
Max. consumption	<100 mA (depending on stroke length)
Linearity	100 mm < %1, 100-300 mm < %0.2, 300-500 mm < %0.1, 500-5000 mm > %0.05
Reverse polarity protection	Up to -30 VDC
Overvoltage protection	Up to +30 VDC
Update time	10 ms (at 115200 bit/s)
Interface	RS422 / RS485 Modbus
Baud rate	Max. 115200 bit/s
Diagnostic LEDs	Green led : Power on, BUS communication active Red led : Error, Stop mode
Protection level	IP 65
Operating temperature	-10°C ... +70°C
Storage temperature	-30°C ... +90°C

**Mechanical Specifications**

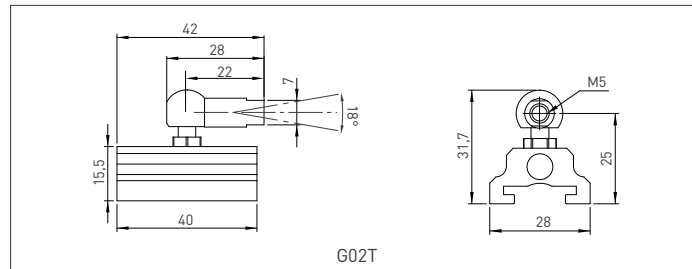


DMSW (mm)	100	150	200	250	300	350	400	450	500	550	600	650	700	750	800	850	900	1000	1100	1200	1300	1400	1500	1750	2000	2250	2500	3000	4000	5000
ML (Measuring Length)	100	150	200	250	300	350	400	450	500	550	600	650	700	750	800	890	900	1000	1100	1200	1340	1400	1500	1750	2000	2250	2500	3000	4000	5000
L (Total Length)	327	377	427	477	527	577	627	677	727	777	827	877	927	977	1027	1077	1127	1177	1227	1277	1327	1377	1427	1477	2272	2522	2772	3302	4342	5342
Dead Zone Calculation	103/47																													

## Connection



## Cursor



## Ordering Procedure

Model	Measurement stroke	Protocol	Baud rate	Termination	Cursor	Connecting brackets	Dead zone
DMSW	150	Modbus	04	150	G02T	BR02	103/47
DMSW	100 - 5000 mm	MDB:Modbus	01:9600 bits/s 02:19200 bits/s 03:38400 bits/s 04:57600 bits/s 05:115200 bits/s	1S0: off 1S1: on	1G02T: 1 cursor 2G02T: 2 cursors	BR01 BR02	≤ 2000 mm 103/47 > 2000-3000 mm 185/47 > 3000-4000 mm 215/47 > 4000-5000 mm 255/47

\* T-coded sensors are used with T-coded cursors.