

### TKH-MOUSE-IND-SCROLL-IP68-BLACK-LASER

**INDUMOUSE**



### TKH-MOUSE-IND-SCROLL-IP68-GREY-LASER

**INDUMOUSE**



## PRODUCT FEATURES

- Industrial mouse with aluminium bottom plate and laser scanning
- Ergonomical function with two mouse buttons and three-button scroll-function
- Resolution adjustable in 4 levels from 400 to 1600 cpi
- Pleasant operating feeling
- Because of the ergonomic design best suited for right- and left-handers
- Completely water and dustproof
- Easy to clean and disinfect

## SPECIFICATION

Number of Keys: 2 Mousebuttons, 3 Scrollbuttons  
 Switch technology: Short travel keys  
 Operating force: 1.5 N  
 Switch travel: 0.3 mm  
 Protection level: IP68  
 Scanning: Laser  
 Resolution: 400, 800, 1200 or 1600 cpi (adjustable)  
 Housing: Silicone rubber  
 Bottom plate: Aluminium

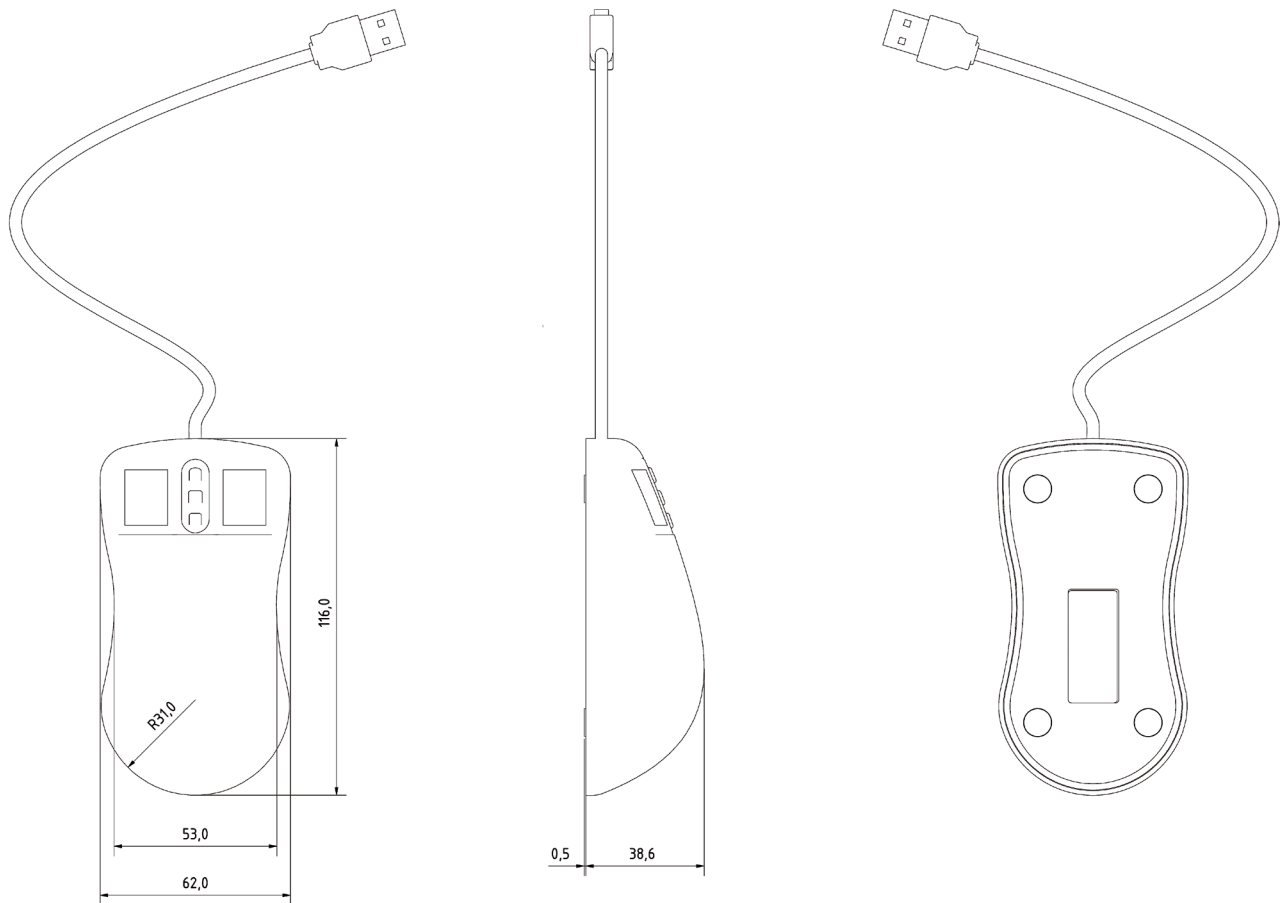
Housing colour: grey, black  
 Interface: USB  
 USB compatibility: compatible with USB 2.0  
 Operating temperature: -25 °C to +70 °C  
 Storage temperature: -25 °C to +80 °C  
 Scroll function: by 3 Scrollbuttons  
 Weight: 180 g  
 Cable length: ca. 2 m  
 Dimensions: L 116.0 x W 62.0 x H 38.6 mm

Cat.No.	Product designation	Colour
KH19226	TKH-MOUSE-IND-SCROLL-IP68-GREY-LASER-USB	Grey
KH19224	TKH-MOUSE-IND-SCROLL-IP68-BLACK-LASER-USB	Black

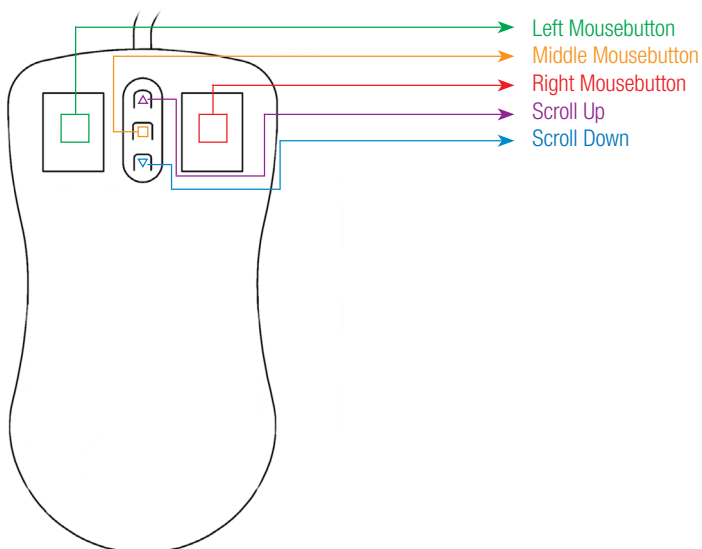
Other layouts, configurations and interfaces on request.

Subject to modifications and errors!

### TECHNICAL DRAWING (in mm)



### Mouse functions when using standard Windows® drivers



### Resolution adjustment:

Resolution is adjustable in 4 levels: 400, 800, 1200 and 1600 cpi.  
 Keep left and right mousebutton pressed at once and adjust the resolution with the scrollbuttons:  
 \* Scroll-up button: higher resolution  
 \* Scroll-down button: lower resolution