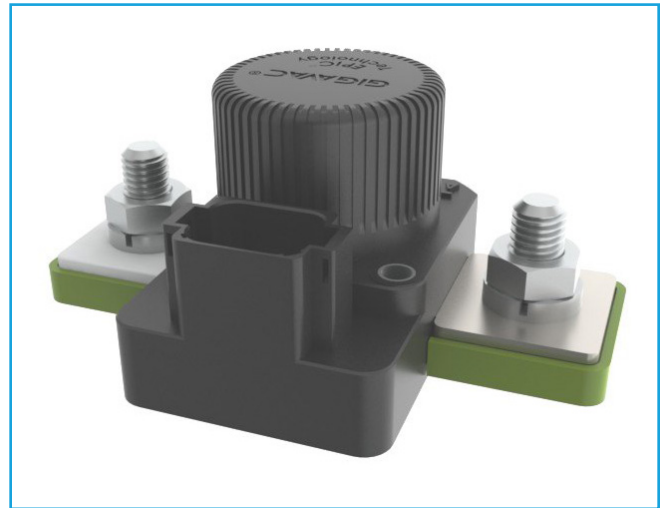


**POWER CONNECTION**  
ZINC PLATED, M12X1.75 BOLT  
STAINLESS M12X1.75 FLANGED NUT  
TORQUE 200-300 IN-LB (22-33 Nm)

MATING DEUTSCH CONNECTOR *	
PART NUMBER	DESCRIPTION
DT06-08SA	CONNECTOR HOUSING
0462-201-16141	SOCKET
114017	SEALING PLUG
HDT-48-00	RECOMMENDED CRIMPER
W8S	WEDGE

\* AVAILABLE AS AN ASSEMBLY (0857-Z)



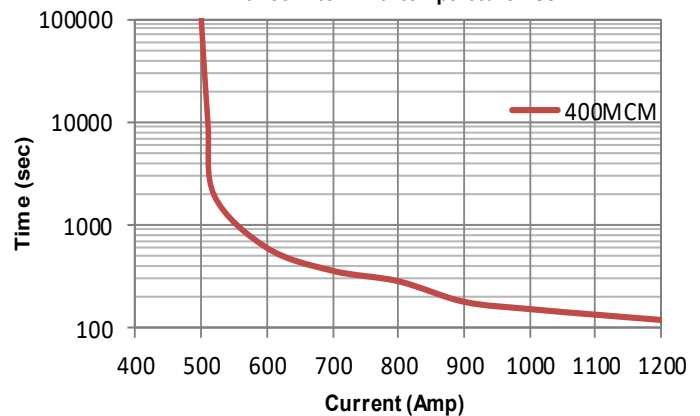
### Key Features

<b>EPIC® Seal</b>	Ceramic to metal braze. Gas filled hermetic chamber protects key components. Exceeds IP69K standard
<b>Contacts / Form</b>	Silver / SPST / NO
<b>Coil</b>	Efficient two coil design with no PWM or EMI emissions.
<b>Suppression</b>	Coil suppression built in
<b>High Shock and Vibration</b>	For rugged environments, off-road and tracked vehicles
<b>Installation</b>	Not direction sensitive
<b>Reference</b>	MIL-R-6106, RoHS

Coil Ratings (25°C, Currents & Power At Nominal V)			
Series	15		
Coil P/N Designation	B	C	
Coil Voltage (Nominal)	12	24	V
Maximum Safe Voltage	16	30	V
Inrush Current (max, includes both coils)	3.9	1.6	A
Hold Current after inrush (max)	0.23	0.097	A
Coil Hold Power (max)	2.8	2.3	W
Coil Back EMF <sup>1</sup>	0		V
Transient on all pins	+50V 13ms		
Reverse polarity on all pins	-80		V

<sup>1</sup> Coils are switched internally with a FET, so no fly-back/suppression voltage is seen at the coil inputs.

**Current Carry vs Time**  
with 85°C terminal temperature rise



Environmental And Switching Specification		
Series	15	
Contacts		
Contact form	SPST-NO	
Contact Voltage Rating	12-48V	
Insulation resistance, A1-A2 and A1&A2 to controls	500V, 100MΩ (50MΩ after life)	
Dielectric, A1-A2 and A1&A2 to controls	2200VAC, 60Hz, 1mA	
Contact Resistance (max)	1.5 mΩ (.4 avg)	
Current (see chart for Temp. derating)	350A, 400MCM	
90s	1000A	
10s	2000A	
1s	3000A	
Optional Aux, SPST, NO or NC	2A @ 28V	
Resistive Load Switching		
Fault interrupt	3000A	
Resistive switching @ 28V	100,000 cycles @ 350A	
Please contact factory for more detailed resistive switching specifications.		
Mechanical life	300,000 cycles	
Environmental Specifications		
Weight (Max, with hardware)	1.6lbs, 725g	
Vibration (10 - 2000Hz)	15G	
Shock, 1/2 Sine, 11ms	20G	
Temperature Range (ambient)	-40°C to 85°C	
Max Terminal Temperature	125°C	
Water Resistance	IP67 and IP69K	
Seal: Hermetic Vacuum Braze, tested to E-9 std cc/sec		
Steam/Water-Jet/ Boiling Water	105psi Steam/2750psi Jet/ Submersion in BW	
Chemicals, Corrosion, Fungal Growth	Resistant	
Timing (Max Values @ 25°C)		
Operate (including bounce)	20	ms
Inrush	75	ms
For details, contact factory for App. Note	8	9 #

NOTES:

1. The MXST Delay on Break contactor is designed for applications that require electrical power to be maintained for a specific amount of time after the engine is shut off. The contactor is triggered by an "OFF" signal - usually from the ignition key - and then maintains power for a programmed amount of time before it turns OFF (open).

2. Contactor has two coils. Both are used for pull-in. After approximately 75 milliseconds, one coil is electronically removed from the coil drive circuit. The remaining coil supplies low continuous hold power sufficient for the contactor to meet all of its specified performance specifications. This provides the lowest coil power possible without the use of PWM electronics that have been known to cause EMI emissions and/or crosstalk on system control power.

3. The Bypass pin overrides the timing circuit and can be used in cases where an immediate opening of the contactor is required. The Bypass pin does not need to be connected if this function is not required.

4. Caution: In Voltage Control Mode, Pin 1 is digital input - leave it open or pull it low. Pin 6 is digital output - leave it open only.

5. Also available with I<sup>2</sup>C option that allows customer to program and control the time delay feature. Please contact GIGAVAC for more details.

Ordering Key	
<b>MXST15</b>	<b>-mm-ss</b> EX: MXST15B-30-00
COIL VOLTAGE B=12VDC C=24VDC	DELAY-SECONDS ss=SECONDS FROM 00 TO 59 DELAY-MINUTES mm=MINUTES FROM 00 TO 99
Power Circuit and Installation	
<b>Voltage Control Mode Connection (See Note 4):</b>	
<b>I<sup>2</sup>C Control Mode Connection (See Note 5):</b>	
<b>Timing Diagram:</b>	

Settings Parameters			
Coil Voltage	B	C	
Vin Input Voltage Range	10-16	20-30	V
Vcontrol Pin (10kΩ input resistance)	30 max		V
Vcontrol_Close	≥2.0		V
Vcontrol_Open	≤0.8		V
Bypass_Active	Pull Low (0)		V
Bypass_Inactive	Leave Open (5)		V
Max Sink Current on LED Driver Pin	10		mA

		P.O. Box 4428 Santa Barbara, CA 93140	
		<a href="http://www.gigavac.com">www.gigavac.com</a>	<a href="mailto:info@gigavac.com">info@gigavac.com</a>
Rev 4	10-1-15	© 2015 GIGAVAC, LLC	Page 2 of 2 MXST15

---

Datasheets provided by Sensata Technologies, Inc., its subsidiaries and/or affiliates (“Sensata”) are solely intended to assist third parties (“Buyers”) who are developing systems that incorporate Sensata products (also referred to herein as “components”). Buyer understands and agrees that Buyer remains responsible for using its independent analysis, valuation, and judgment in designing Buyer’s systems and products. Sensata datasheets have been created using standard laboratory conditions and engineering practices. Sensata has not conducted any testing other than that specifically described in the published documentation for a particular datasheet. Sensata may make corrections, enhancements, improvements, and other changes to its datasheets or components without notice.

Buyers are authorized to use Sensata datasheets with the Sensata component(s) identified in each particular datasheet. HOWEVER, NO OTHER LICENSE, EXPRESS OR IMPLIED, BY ESTOPPEL OR OTHERWISE TO ANY OTHER SENSATA INTELLECTUAL PROPERTY RIGHT, AND NO LICENSE TO ANY THIRD PARTY TECHNOLOGY OR INTELLECTUAL PROPERTY RIGHT, IS GRANTED HEREIN. SENSATA DATASHEETS ARE PROVIDED “AS IS”. SENSATA MAKES NO WARRANTIES OR REPRESENTATIONS WITH REGARD TO THE DATASHEETS OR USE OF THE DATASHEETS, EXPRESS, IMPLIED, OR STATUTORY, INCLUDING ACCURACY OR COMPLETENESS. SENSATA DISCLAIMS ANY WARRANTY OF TITLE AND ANY IMPLIED WARRANTIES OF MERCHANTABILITY, FITNESS FOR A PARTICULAR PURPOSE, QUIET ENJOYMENT, QUIET POSSESSION, AND NON-INFRINGEMENT OF ANY THIRD PARTY INTELLECTUAL PROPERTY RIGHTS WITH REGARD TO SENSATA DATASHEETS OR USE THEREOF.

All products are sold subject to Sensata’s terms and conditions of sale supplied at [www.sensata.com](http://www.sensata.com). SENSATA ASSUMES NO LIABILITY FOR APPLICATIONS ASSISTANCE OR THE DESIGN OF BUYERS’ PRODUCTS. BUYER ACKNOWLEDGES AND AGREES THAT IT IS SOLELY RESPONSIBLE FOR COMPLIANCE WITH ALL LEGAL, REGULATORY, AND SAFETY-RELATED REQUIREMENTS CONCERNING ITS PRODUCTS, AND ANY USE OF SENSATA COMPONENTS IN ITS APPLICATIONS, NOTWITHSTANDING ANY APPLICATIONS-RELATED INFORMATION OR SUPPORT THAT MAY BE PROVIDED BY SENSATA.

Mailing Address: Sensata Technologies, Inc., 529 Pleasant Street, Attleboro, MA 02703, USA

## CONTACT US

### Regional head offices:

#### United States of America

Sensata Technologies

Attleboro, MA

**Phone:** 508-236-3800

**E-mail:** [support@sensata.com](mailto:support@sensata.com)

#### Netherlands

Sensata Technologies Holland B.V.

Hengelo

**Phone:** +31 74 357 8000

**E-mail:** [support@sensata.com](mailto:support@sensata.com)

#### China

Sensata Technologies China Co., Ltd.

Shanghai

**Phone:** +8621 2306 1500

**E-mail:** [support@sensata.com](mailto:support@sensata.com)

Copyright © 2023 Sensata Technologies, Inc.