

LPW-0560-1410-08S Variable Propeller Signal Slip Ring

This unit can be used in any electromechanical system that requires unrestrained, continuous rotation while transferring power or data from a stationary to a rotating structure.

This is constantly being extended in order to also meet the developments in signal and data Transmission. JINPAT has developed a comprehensive standard programme that is able to offer optimum solutions. The standard programme enables the creation of slip ring bodies of any number of poles up to 100 for power and data/signal currents.



- ◆ The operating life of the unit depends upon temperature, rotation speed and environment.
- ◆ The operating life $\geq 120,000,000$ runs ref.

Features



- ✓ 30 circuits models
- ✓ Electrical data
- ✓ Scope of application: 1.25~2.5MW
- ✓ Wiring and max number of poles
- ✓ Control and data transmission
- ✓ More technical details
- ✓ Volume of delivery
- ✓ Provide wheel lighting power supply loop and have thermostat adjustable heater

Technical Parameters

Number of Circuits	5 circuits(power)+22 circuits(signal)	Current	5 circuits@ 10A, 4-30 circuits
Voltage Rating	400VAC(power), 24VDC(signal)	Operating Speed	0~25RPM
Working Temperature	-40°C~+80°C	Scope of application	1.25~2.5MW
Housing material	Aluminum alloy blasting	Torque	1N·M
Working life	About 220 million	Contact material	Copper Graphite, Precious Metals
Dynamic resistance fluctuation	$\leq 10\text{m}\Omega$ (at 50rpm)	Protection Class	IP65
Pressure strength	$\geq 500\text{V}@50\text{Hz}$ (power) $\geq 300\text{VAC}@50\text{Hz}$ (signal)	Lead Size	AWG6#,17#Teflon Wire, CAN bus
Insulation Resistance	500M Ω @500VDC(power) 100M Ω @100VDC(signal)	Working Humidity	0~100%RH



TEMPERATURE RANGE
-40° C to 80° C



MAXIMUM OPERATING SPEED
0-25 RPM

Applications

- ✓ Wind turbine generator



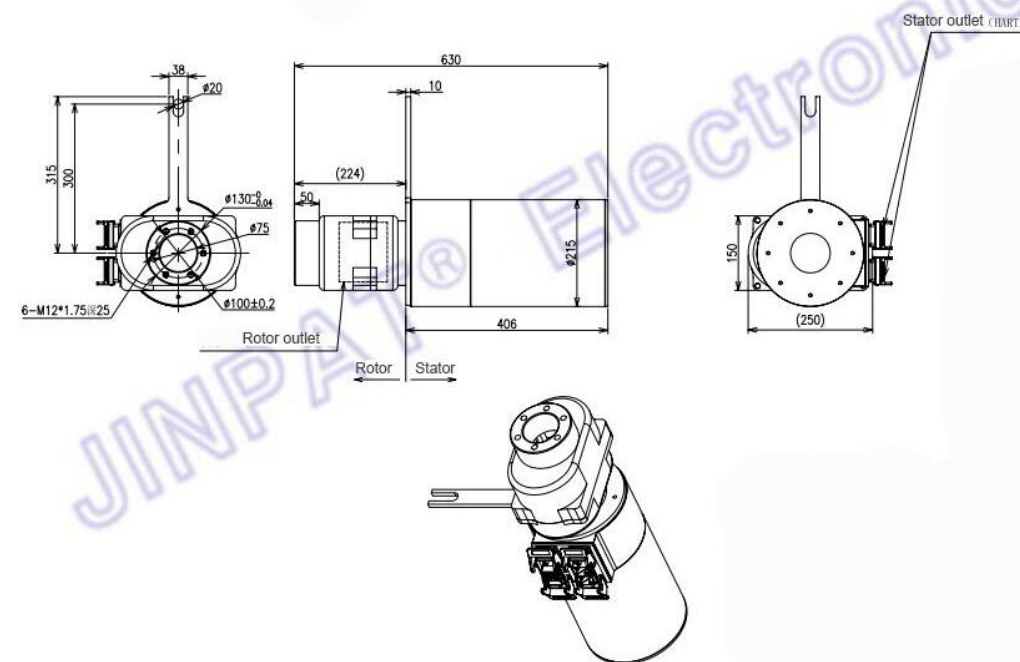
Advantage



- ✓ Digital signals up to max. 500 kB
- ✓ Provide power supply for pitch system, transmit control signal and communication signal
- ✓ Own speed measurement device to strengthen the fan monitoring and fan safety protection
- ✓ Wire outlet way: Rotor side connection—head to head, stator side connection—head to head
- ✓ Protection class: IP 65

Drawings

Model: LPW-0560-1410-08S(JP08-033-01)



MESSAGE

Any questions about slip ring, please leave your message to get a professional solution

PRODUCT CATEGORY

FORJ
Capsule slip ring
Through bore slip ring
Pancake slip ring
Mercury slip ring
Separate slip ring
Miniature slip ring
Wind turbine slip ring
Hydraulic slip ring
Pneumatic slip ring
Coaxial rotary joints

REQUESTS

Circuits
Current & voltage
Signal details
Dimension
Working speed
Working temperature
Operating
Environment
Other

INDUSTRIES

Surveillance
Crane
Medical
Marine
Defence
Radar antenna
Automation
Meter and instrument
Wind turbine generator
VR Device
Other

Wire Color Code

Wire Size	Ring #	Color	Ring #	Color	Ring #	Color	Ring #	Color
AWG32# silver plated copper Teflon UL	#1	BLK	#2	BRN	#3	RED	#4	ORG
	#5	YEL	#6	GRN	#7	BLK-BLU	#8	PUR
	#9	GRAY	#10	WIT	#11	PINK	#12	AZURY
	#13	WIT/BLK	#14	WIT/BRN	#15	WIT/RED	#16	WIT/ORG
	#17	WIT/YET	#18	WIT/GRN	#19	WIT/BLU	#20	WIT/PUR
	#21	WIT/GRAY	#22	CLAR	#23	BLK-RED	#24	BLK/BRN

Remarks: 1. AWG32# silver plated copper Teflon UL, 24 different color single wires for a circle

2. #1 from rotor side (The color if the wire can be changed).

Contact us on wire color codes



Send