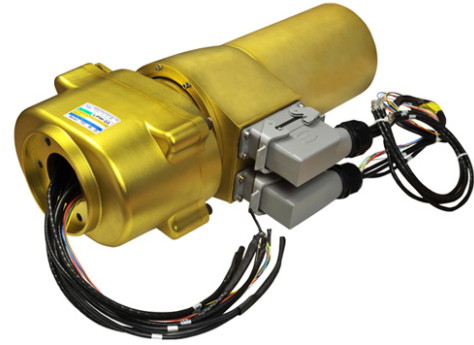


LPW-03 Wind Turbine Slip Ring

This is constantly being extended in order to also meet the developments in signal and data Transmission. JINPAT has developed a comprehensive standard programmed that is able to offer optimum solutions. The standard programmed enables the creation of slip ring bodies of any number of poles up to 100 for power and data/signal currents. Slip ring bodies can be supplied either as open slip ring bodies to be built per customers' requirements or in a housing of impact-resistant plastic or sheet metal.



Specifications

Model	LPW-03
Operating Speed	0-30rpm
Working Humidity	60%RH or higher
Housing Material	Cast Aluminum
Temperature Range	-35°C to +50°C
Brush Material	Precious Metal
Variable Propeller Power	5 circuits @ 400VAC 100A
Auxiliary Power	3 circuits @ 230VAC 16A
Signal	10 circuits @ 24VAC 5A
Data	6-12 circuits @ 24VAC 1A
Protection	IP65

Capsule Length

Operating Speed	Protection	Part No
0-30rpm	IP65	LPW-03

- ◆ The operating life of the unit depends upon temperature, rotation speed and environment.
- ◆ The operating life ≥120,000,000 runs ref.

Features



- ✓ Electrical data
- ✓ Compatible with data bus protocols
- ✓ Control and data transmission
- ✓ Wiring and max number of poles
- ✓ Sealed units are available
- ✓ More technical details, Volume of delivery
- ✓ Flexible, color-coded, silver-plated, lead wires
- ✓ Precision ball bearings meet or exceed life requirements for most commercial applications



TEMPERATURE RANGE
-35° C to 50° C



MAXIMUM OPERATING SPEED
0-30 RPM

Applications

- ✓ Wind turbine generator

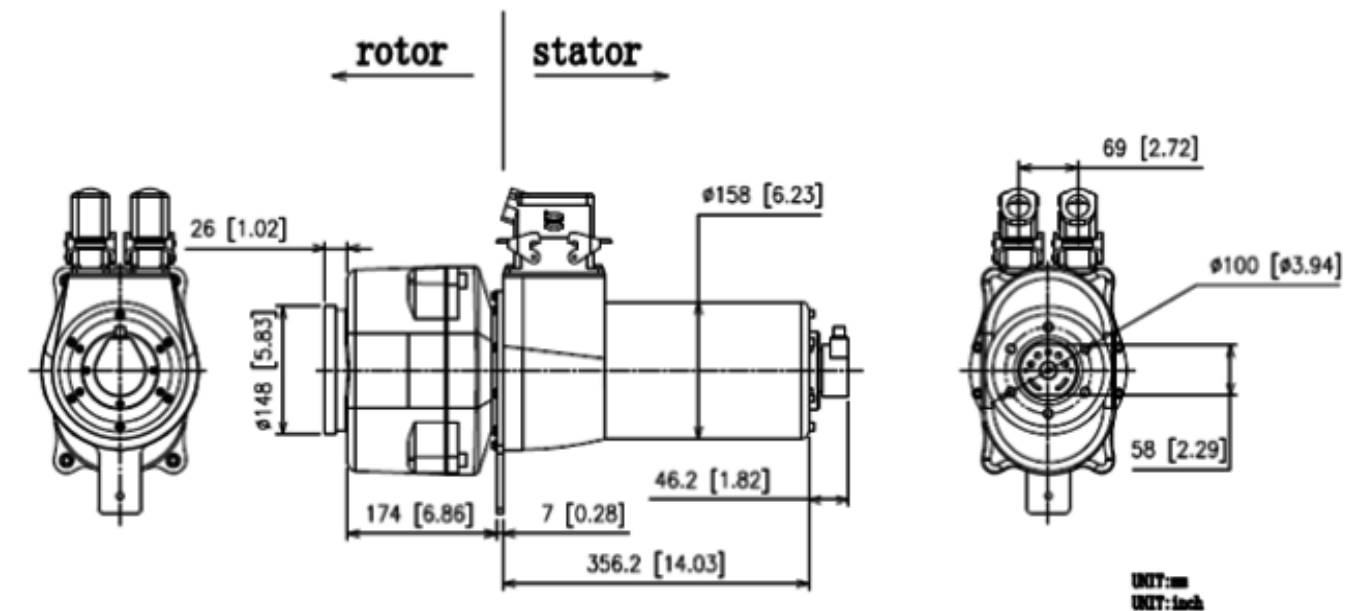


Advantage



- ✓ Digital signals up to max. 500 Kb
- ✓ Amperages up to 1200 A and voltage up to 24 kV
- ✓ Diameters > 10 m high rotation speed
- ✓ Extreme operating conditions
- ✓ Protection class: IP 65

Drawings



MESSAGE

Any questions about slip ring, please leave your message to get a professional solution

Wire Color Code								
Wire Size	Ring #	Color	Ring #	Color	Ring #	Color	Ring #	Color
AWG32# silver plated copper Teflon UL	#1	BLK	#2	BRN	#3	RED	#4	ORG
	#5	YEL	#6	GRN	#7	BLK-BLU	#8	PUR
	#9	GRAY	#10	WIT	#11	PINK	#12	AZURY
	#13	WIT/BLK	#14	WIT/BRN	#15	WIT/RED	#16	WIT/ORG
	#17	WIT/YET	#18	WIT/GRN	#19	WIT/BLU	#20	WIT/PUR
	#21	WIT/GRAY	#22	CLAR	#23	BLK-RED	#24	BLK/BRN

Remarks: 1. AWG32# silver plated copper Teflon UL, 24 different color single wires for a circle
2. #1 from rotor side (The color if the wire can be changed).

PRODUCT CATEGORY	REQUESTS	INDUSTRIES
FORJ Capsule slip ring Through bore slip ring Pancake slip ring Mercury slip ring Separate slip ring Miniature slip ring Wind turbine slip ring Hydraulic slip ring Pneumatic slip ring Coaxial rotary joints	Circuits Current&voltage Signal details Dimension Working speed Working temperature Operating Environment Other	Surveillance Crane Medical Marine Defence Radar antenna Automation Meter and instrument Wind turbine generator VR Device Other

Contact us on wire color codes



Send