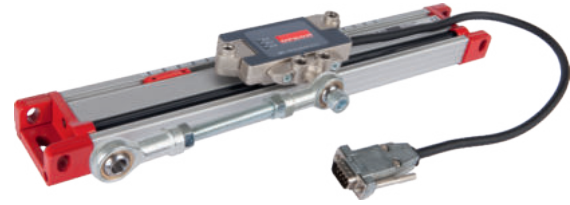


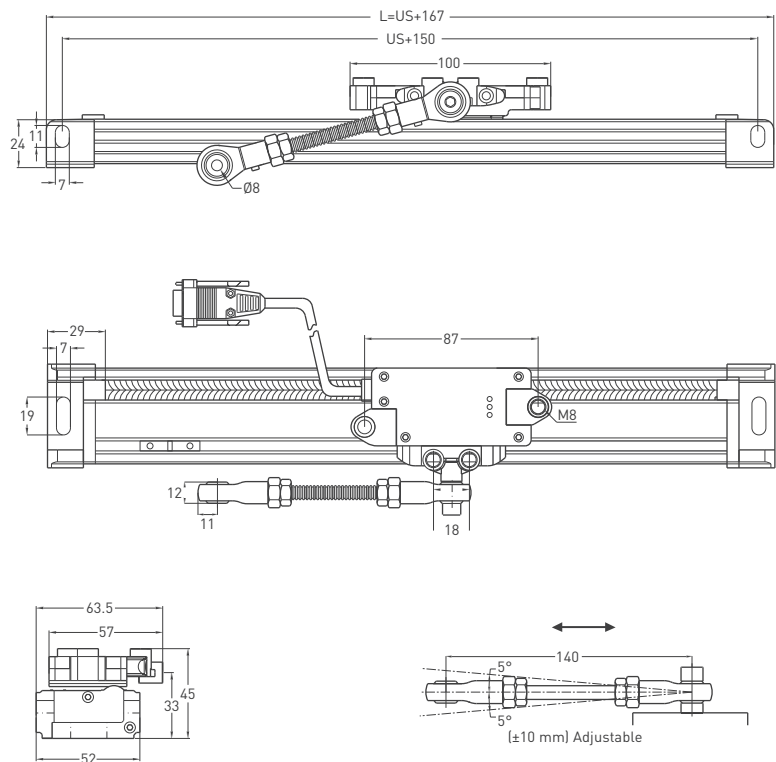
# Magnetic Linear Incremental Encoder For Press Brake / Advanced Design

- 5 µm resolution (4x mode)
- Measuring range 120 - 720 mm
- ± 20 µm accuracy
- LED status indicators



Technical Specifications	
Type of measurement	Magnetic incremental non-contact
Measurement stroke	120 - 720 mm
Resolution	Standard : 5 µm (4x mode), Optional : 2,5 / 5 / 10 / 12,5 / 20 / 25 µm (4x mode)
Repeatability	±5 µm
Accuracy	Up to ±20 µm
Output channels	A, $\bar{A}$ , B, $\bar{B}$ , Z, $\bar{Z}$
Output type	TTL, Linedriver (standard) High Linedriver, Push-Pull (optional)
Power supply	5 VDC (standard), 8 - 24 VDC (optional)
Power consumption (without load)	< 40 mA (24 VDC)
Electrical connections	DB9 connector with 1 m cable
Displacement speed	< 3 m/s
Case material	Anodized aluminium
Protection level	IP 65
Operating temperature	-20°C ... +80°C
Storage temperature	-30°C ... +90°C

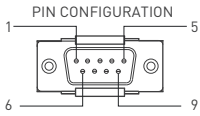
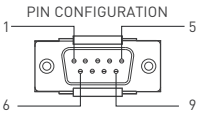
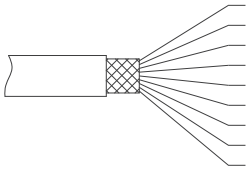
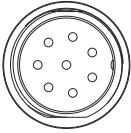
## Mechanical Specifications



MPS (mm)	120	150	170	220	270	320	370	420	470	520	570	620	670	720
US (Usefull stroke)	120	150	170	220	270	320	370	420	470	520	570	620	670	720
MS (Mechanical stroke)	148,5	178,5	198,5	248,5	298,5	348,5	398,5	448,5	498,5	548,5	598,5	648,5	698,5	748,5
L (Total stroke)	287	317	337	387	437	487	537	587	637	687	737	787	837	887

Please note: The specifications and information in this datasheet may not cover all special demands arising from specific applications. Therefore, they do not constitute a comprehensive description of the product properties. OPKON accepts no responsibility for damages resulting from the improper application of our products. The user is responsible for ensuring that the products used are suitable for their own application.

## Cable / Connector

 <p><b>9G Type Electrical Connections</b>            Pin 1 : Ch A            Pin 2 : Ch A inv.            Pin 3 : Ch Z            Pin 4 : Ch B            Pin 5 : Ch B inv.            Pin 6 : Ch Z inv.            Pin 7 : +V            Pin 8 : GND            Pin 9 : Earth</p>	 <p><b>9H Type Electrical Connections</b>            Pin 1 : Ch Z            Pin 2 : Ch B            Pin 3 : Ch A            Pin 4 : NC            Pin 5 : GND            Pin 6 : Ch Z inv.            Pin 7 : Ch B inv.            Pin 8 : Ch A inv.            Pin 9 : +V</p>
 <p><b>DB9 Cable Output</b>            +V : Brown            0V : Blue            A : Black            B : White            Z : Orange            A inv. : Yellow            B inv. : Green            Z inv. : Red            GND : Earth</p>	 <p><b>C8G Type Electrical Connections</b>            Pin 1 : Ch A            Pin 2 : GND            Pin 3 : Ch Z inv.            Pin 4 : Ch Z            Pin 5 : Ch B inv.            Pin 6 : Ch B            Pin 7 : Ch A inv.            Pin 8 : +V</p>

## Ordering Procedure

Model	Pole pitch	Measurement stroke (mm)	Resolution	Output type	Output	Power supply	Connector / Cable
MPS	B5	270	T20	LTP	B	V1	2M5
MPS	B5 : 5 mm	120 - 720 mm	T10 : 2.5 $\mu\text{m}$ T20 : 5 $\mu\text{m}$ T50 : 12.5 $\mu\text{m}$ T80 : 20 $\mu\text{m}$ T100 : 25 $\mu\text{m}$	LTP : Push-Pull TT : TTL HLD : High Linedriver LD : Linedriver	4Z : Adjustable reference(standard) 5Z : Continuous reference(optional) B : No reference(optional)	V1 : 5 VDC V2 : 8 - 24 VDC	9G : G type electrical connectionwith 1 meter cable 9H : H type electrical connectionwith 1 meter cable 1M : 1 meter cable (standard) C8G : M16, 8 pin round type connector