

Miniature Slip Ring LPM-06C

This unit can be used in any electromechanical system that requires unrestrained, continuous rotation while transferring power or data from a stationary to a rotating structure.

The LPM-06C miniature slip ring is a standard, off-the-shelf unit that uses gold contacts at the rotary interface. Color-coded lead wires are used on both the stator and rotor for simplifying electrical connections. The LPM-06C allows tremendous flexibility in dealing with system size restrictions. It is available in 4- 6 circuit configurations.



- ◆ The operating life of the unit depends upon temperature, rotation speed and environment.
- ◆ The operating life $\geq 50,000,000$ runs ref.

Features



- ✓ 6 circuits models
- ✓ 2 amps per circuit , 240 VAC/VDC
- ✓ Precision assembly to provide exceptional rotational life
- ✓ Speed up to 300 rpm continuous
- ✓ Gold-Gold contacts
- ✓ Flexible, color-coded, silver-plated lead wires
- ✓ Superior handling of low level control signals
- ✓ Metal housing optional

Specifications

Operating Speed	0-300 rpm
Number of Circuits	6
Voltage	240 VAC/DC
Current Rating	2 amps per circuit
Temperature Range	-20°C to +60°C
Contact Material	Gold to Gold
Lead Size	30# silver plated copper
Lead Length	Standard 250 mm (9.843inch)
Dielectric Strength	≥ 500 VAC @50Hz, between each circuit
Insulation Resistance	100 M Ω @ 500 VDC
Electrical Noise	1m Ω Min

Capsule Length

# of Circuits	L (mm)	Part No
6	18.2	LPM-06A



TEMPERATURE RANGE
-20° C to 60° C



MAXIMUM OPERATING SPEED
0-300 RPM

Applications

- ✓ Electrical test equipment
- ✓ Manufacturing and process control equipment
- ✓ Indexing tables
- ✓ CTV pan / tilt camera mounts
- ✓ Robot, rotary sensors, urgent illumination equipment
- ✓ Exhibit / display equipment
- ✓ Aviation ,military ,instrument, medical equipment.
- ✓ Min-type wire-rolling machine / Closed-circuit control



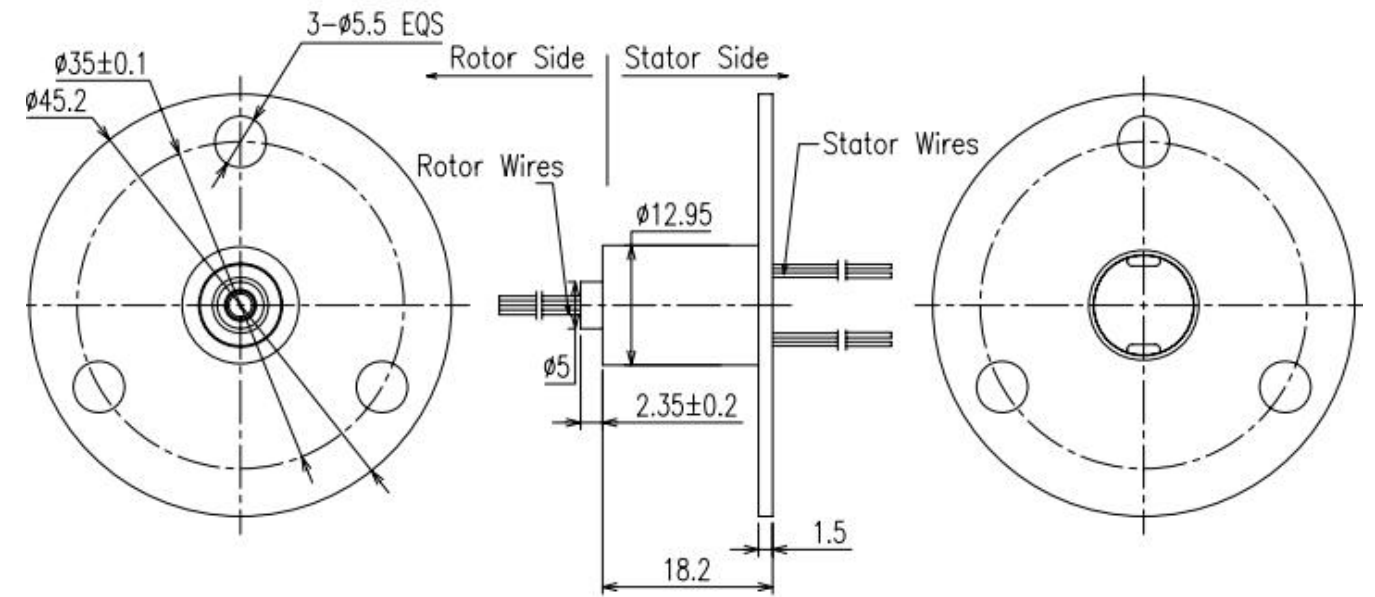
Advantage



- ✓ Low torque minimizes system torque budget
- ✓ Tight packaging to fit in the most demanding space.
- ✓ Smooth running
- ✓ Low electrical noise
- ✓ Prompt shipment per your urgent requirement
- ✓ 360°continuous rotation
- ✓ External gold plated pins, Extremely easy to install
- ✓ Working speed at 300 RPM, the working life can reach hundreds of millions of rotating
- ✓ Addition of special components

Drawings

Model: LPM-06C



MESSAGE

Any questions about slip ring, please leave your message to get a professional solution

Wire Color Code								
Wire Size	Ring #	Color	Ring #	Color	Ring #	Color	Ring #	Color
AWG30# silver plated copper Teflon UL	#1	BLK	#2	BRN	#3	RED	#4	ORG
	#5	YEL	#6	GRN	#7	BLK-BLU	#8	PUR
	#9	GRAY	#10	WIT	#11	PINK	#12	AZURY
	#13	WIT/BLK	#14	WIT/BRN	#15	WIT/RED	#16	WIT/ORG
	#17	WIT/YET	#18	WIT/GRN	#19	WIT/BLU	#20	WIT/PUR
	#21	WIT/GRAY	#22	CLAR	#23	BLK-RED	#24	BLK/BRN

Remarks: 1. AWG28# silver plated copper Teflon UL, 24 different color single wires for a circle
2. #1 from rotor side (The color if the wire can be changed).

PRODUCT CATEGORY	REQUESTS	INDUSTRIES
FORJ Capsule slip ring Through bore slip ring Pancake slip ring Mercury slip ring Separate slip ring Miniature slip ring Wind turbine slip ring Hydraulic slip ring Pneumatic slip ring Coaxial rotary joints	Circuits Current&voltage Signal details Dimension Working speed Working temperature Operating Environment Other	Surveillance Crane Medical Marine Defence Radar antenna Automation Meter and instrument Wind turbine generator VR Device Other

Contact us on wire color codes



Send