

AVVOLGITUBO PER ARIA, AZOTO GASSOSO, GRASSO, ACQUA, OLIO - SERIE "9000"

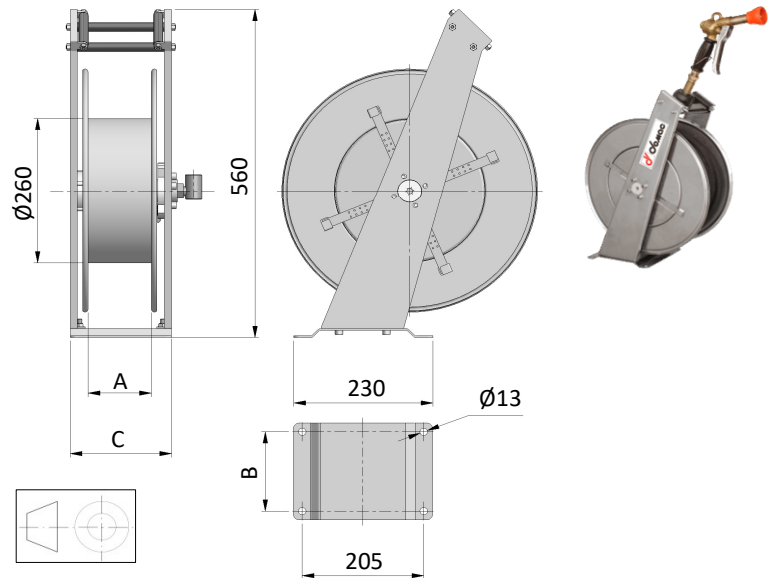
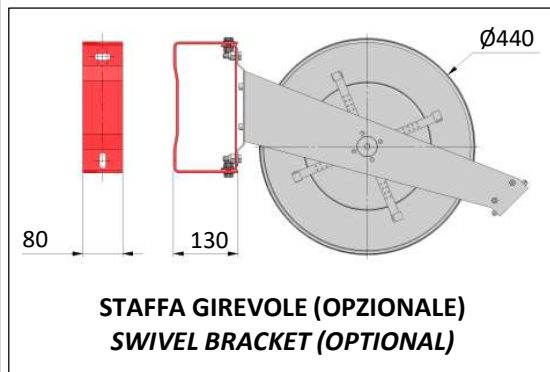
SERIE "9000" HOSE REEL FOR AIR, NITROGEN GAS, GREASE, WATER, OIL

9000

ENROULEUR POUR AIR, AZOTE GAZ, GRAISSE, EAU, HUILE - SÈRIE "9000"

SCHLAUCHROLLE FÜR LUFT, STICKSTOFF, SCHMIERE, WASSER, ÖL - SERIE "9000"

Max flow rate: 40 l/min
 Working pressure: see below
 Max hose speed: 30 m/min
 Temperature range: -20/+80°C



	MODELLO MODEL	A	B	C	senza tubo without hose	Tubo /Hose			Con tubo with hose	Staffa girevole Swivel bracket		
						tipo type	Ø	m		Tip Type		
ARIA, OLIO, GASOLIO - ESECUZIONE IN ACCIAIO VERNICIATO AIR, OIL, DIESEL-OIL - MADE OF PAINTED STEEL MAX. 600 BAR - MAX. FLUID TEMPERATURE 60°C	9001	120	142	180		1SN	1/4	15,0		9075		
						2SC						
	9002	150	180	210		1SN	1/4	20,0		9076		
						2SC						
	9003	120	142	180		1SN	3/8	15,0		9075		
						2SC						
	9004	150	180	210		1SN	3/8	20,0		9076		
						2SC						
9005	120	142	180		1SN	1/2	15,0		9075			
					2SC							
9006	150	180	210		1SN	1/2	20,0		9076			
					2SC							
9007	120	142	180		1SN	5/16	15,0		9075			
					2SC							
9008	150	180	210		1SN	5/16	20,0		9076			
					2SC							
GRASSO GREASE 600 bar 60°C	9009	120	142	180		2SC	1/4	15,0		9075		
	9010	150	180	210				20,0		9076		
	MODELLO MODEL	A	B	C	senza tubo without hose	Tubo /Hose			Con tubo + raccordi With hose + fittings		Staffa girevole Swivel bracket	
		mm				tipo type	Ø	m	Zincati/Galvanized	Inox	Tip Type	
ACQUA ACCIAIO INOX WATER STAINLESS STEEL 200 bar - 150°C	9011	120	142	180		I21	3/8	15			9077	
	9012	150	180	210			3/8	20			9078	
	9013	120	142	180			1/2	15			9077	
	9014	150	180	210			1/2	20			9078	
	9015	120	142	180			5/16	15			9077	
	9016	150	180	210			5/16	20			9078	