

# W07L100-GST1

## 7" G-WIN GS Series Display



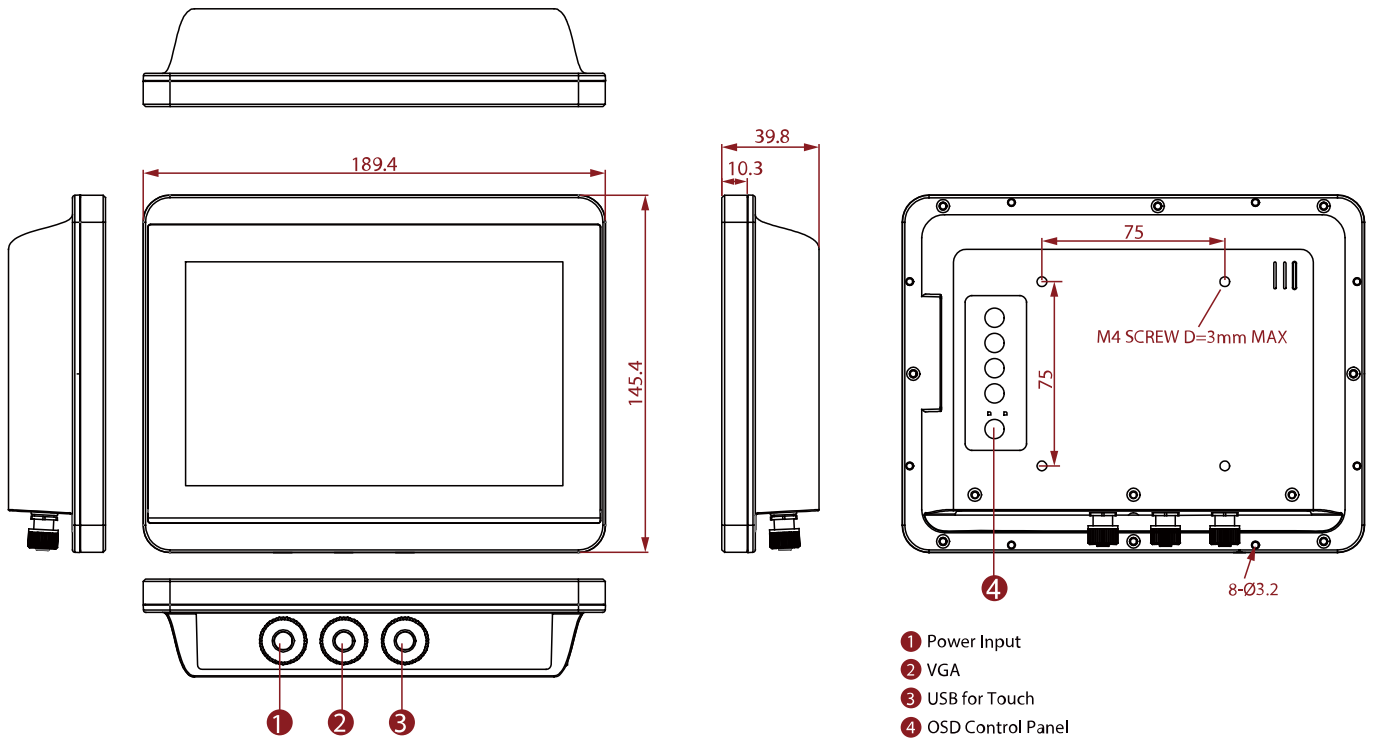
### KEY FEATURES

- 7" 1024 x 600 Resolution
- Projected Capacitive Multi-Touch (PCAP)
- Full IP65 Water and Dust Proof
- VGA input and USB port for touch
- M12 Type Connectors
- Compliant with MIL-STD-810F/G for Shock / Vibration



### SPECIFICATIONS

Display	
Resolution	1024x600
Contrast Ratio	1000:1
Display Color	16.7M Colors
Active Area	153.6x90 mm
Size	7.0 inches
Panel Brightness	320.0 nits
View Angles	75,75,75,70
Touch / Glass	Projected Capacitive Multi Touch Screen Protection Glass (Optional)
Environment	
Operating Humidity	10% to 95% RH
Storage Temperature	-30°C to 60°C
Operating Temperature	-15~55°C
Vibration	1.48/1.90/2.24 g rms for XYZ/ 5-500Hz
Shock	40g for 11ms
IP rating	IP65, Dustproof and Waterproof
Certification	
Certification	CE, FCC Compliant with MIL-STD-810F/G for vibration / shock
IO Ports	
USB Port	1 x USB for Touch Screen
Video	1 x VGA
Mechanical	
Dimension	189.4 x 145.4 x 39.8 mm
Weight	1.13 kg
Mounting	VESA Mount/ Panel Mount
Enclosure	Metal Housing with Aluminum Bezel
Cooling System	Fanless Design
Accessory	
Accessory	Quick Start Guide(Hardcopy) AC Adapter(For 7" Display only) M12 Power Cable(Not Supplied with 7" Display) VGA Cable USB for Touch Cable I/O Protective Cap x 3
Power	
Power Rating	12V DC (M12 type)
Control	
Button	5 Keys: -, +, Power, Esc, Enter



**NOTE**

- 1. This is a simplified drawing and some components are not marked in detail.
- 2. Please contact our sales representative if you need further product information.
- 3. All specifications are subject to change without prior notice.
- 4. The product shown in this datasheet is a standard model. For diagrams that contain customized or optional I/O, please contact the Winmate Sales Team for more information.