

simplyCAN



The Ixxat simplyCAN is a simple, uncomplicated and very cost-efficient way to connect a computer plug-and-play to a CAN bus network. It can be easily integrated into customer applications using a straightforward API and requires no driver installation for operation.

The simplyCAN device comes with a simple monitoring tool for Windows and Linux, which can be used for commissioning of the adapter as well as for displaying messages in raw format and for sending individual messages.

FEATURES AND BENEFITS

- Inexpensive and easy to install – no driver installation required
- Galvanic isolation
- Compatible with USB 1.1, USB 2.0, and USB 3.x
- Simple API interface for fast integration into customer applications
- Optimized for diagnosis and commissioning of devices and systems with CAN bus interface

| ORDER NUMBER | 1.01.0001.12001 |
|-------------------------------|--|
| CAN channels (high-speed) | 1 |
| CAN bus interface | 1 x D-Sub 9, CiA standard pinning according to CiA 303-1 |
| CAN bit rates | 10 kbit/s to 1 Mbit/s, only CiA recommended bit rates are supported: 10, 20, 50, 125, 250, 500, 800, 1000 kbit/s |
| CAN bus termination resistors | - |
| CAN high-speed transceiver | SN65HVD251 |
| Galvanic isolation | 800 V DC/500 V AC for 1 min |
| USB interface | USB 1.1 Full-Speed (12 Mbit/s), compatible with USB 2.0 and USB 3.x |
| USB connector | Type-A connector |
| Power supply | +5 V DC/100 mA (via USB port) |
| Power consumption | 100 mA |
| Dimensions | 80 x 50 x 22 mm |
| Weight | Approx. 100 g |
| Operating temperature | -20 °C to +70 °C |
| Storage temperature | -40 °C to +85 °C |
| Protection class | IP40 |

| | |
|---------------------|---|
| ORDER NUMBER | 1.01.0001.12001 |
| Relative humidity | 10 to 95 %, non-condensing |
| Certification | CE, FCC |
| Housing material | ABS plastic |
| LED | 2 x LEDs for CAN and USB communication |
| Operating systems | simplyCAN is tested on Windows 7 (32 bit and 64 bit) and Windows 10 (64 bit), Ubuntu 14.04 on Linux kernel version 4.4 as well as Ubuntu 18.04 on Linux kernel version 4.15 on Intel/AMD proc |


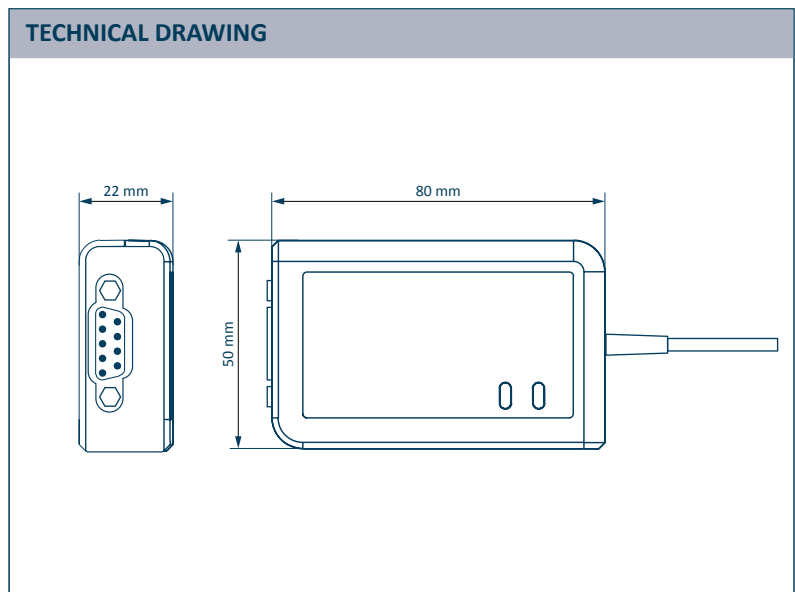


| ACCESSORIES | ORDER NUMBER |
|---|---------------------|
| Termination adapter for CAN/CAN FD (D-Sub plug to socket) | 1.04.0075.03000 |
| CAN cable 2.0 m (D-Sub plug to socket) | 1.04.0076.00180 |
| CAN Y cable 0.22 m | 1.04.0076.00001 |
| CAN Y cable 2.1 m | 1.04.0076.00002 |

PIN ALLOCATION

CAN CONNECTOR D-Sub 9

| Pin no. | Signal |
|---------|----------|
| 7 | CAN-High |
| 2 | CAN-Low |
| 3, 6 | CAN-GND |

SOFTWARE SUPPORT

Drivers and programming interfaces

HMS offers for the simplyCAN free driver packages for Windows, Linux and Raspberry Pi. The driver packages also include a programming interface, enabling customers to develop own analysis, control or configuration applications based on the simplyCAN. File downloads and further information can be found on the Ixxat website.

Software tools

simplyCAN comes with a simple monitoring tool for Windows and Linux, which can be used for commissioning of the adapter as well as for displaying messages in raw format and for sending individual messages.