



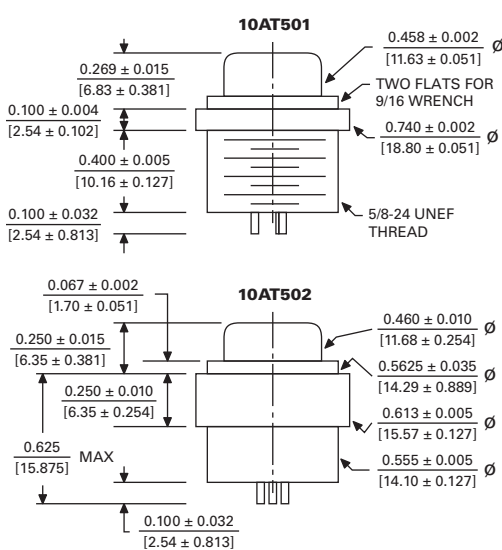
KLIXON® | 10AT / 11AT / 12AT Series

Hermetic Control Switch Packages

INTRODUCTION

The Klixon® 10AT series are stainless steel, hermetic position limit switches, Klixon® 11AT and 12AT series are position control switches. All are ideal for extremely harsh and demanding environments as found in aircraft, military, aerospace, and aircraft engines applications. Klixon® precision hermetic position switches have been used for over 40 years in a wide range of applications, and can be found on virtually all commercial and military aircraft, as well as various space vehicles and satellites worldwide.

SPECIFICATIONS	
Current Rating (Resistance Inductive Lamp)	4 amps, 28VDC 1 amp, 28VDC 2 amp, 28VDC
Dielectric Strength	1050 volts (RMS) Terminal to Case, 800 volts (RMS) Terminal to Terminal
Life Cycles	25,000 cycles @ rated load, mechanical life of 100,000 cycles
Ambient Temperature Range	-85°F to +275°F (-65°C to +135°C)
Seal	Hermetic per MIL-PRF-8805, design enclosure 5
Max Leak Rate	1x10 ⁻⁸ C.C. std. HE/sec @ 1 ATM differential
Voltage Drop at 1 amp	0.040 volts max
Insulation	100 megaohms min
Vibration Resistance	65G, 10-2000Hz, .5 DA or 65 G RMS
Shock Resistance	200 G, 6 ms sawtooth



HERMETIC PUSH BUTTON MOMENTARY SWITCH

10AT502 - 1 - 0 2 - 10

Basic Switch & Actuator/Body Style	Button Color	Operation	Termination	Lead Length
10AT501	1 Red	0 SPDT	1 Solder Pins	1 6" (153mm)
10AT502	2 Black	1 SPDT, N.C.	2 Parallel Leads	2 12" (305mm)
	3 Gray	2 SPDT, N.O.		3 18" (458mm)
				4 24" (610mm)
				5 30" (762mm)
				6 36" (915mm)
				7 42" (1067mm)
				8 48" (1220mm)
				9 60" (1524mm)
				10 72" (1829mm)

Actuating Force (max) 40 oz (10AT501) / 24 oz (10AT502)

Pretravel (max) .040" (1.02mm)

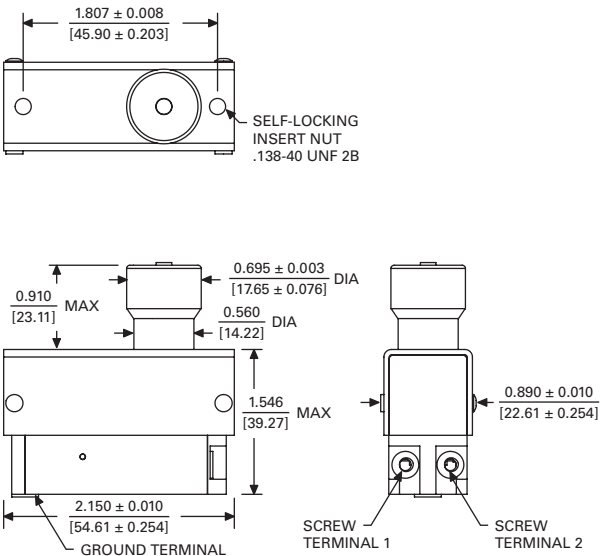
Movement Diff. (max) .030" (.76mm)

Total Travel (min) .050" (1.27mm) / .125" (3.18mm)

Max Force on Actuator 10 lbs / 10 lbs

Approx Weight 0.80 oz / 0.80 oz

Termination: ± 0.104 MAX [2.64]



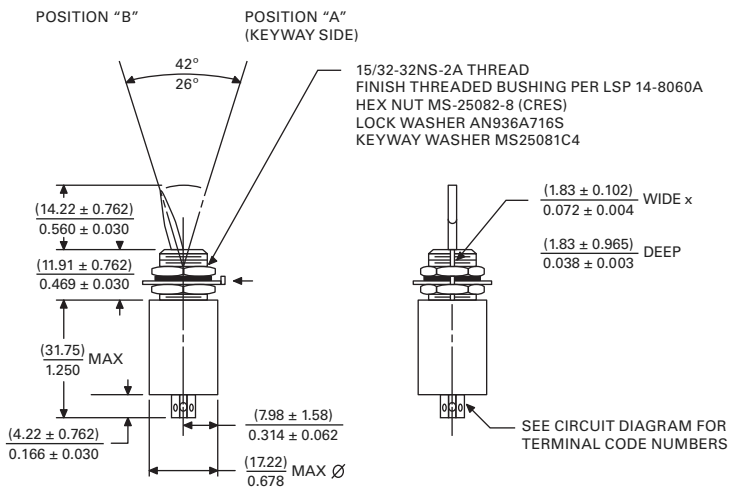
FOOT SWITCH (CONTROL SWITCH)

10AT504 - 5 1 - 5

Basic Switch & Actuator/Body Style	Operation	Termination	Lead Length
10AT504	5 DPST, N.O.	1 Screws	1 6" (153mm)
			2 12" (305mm)
			3 18" (458mm)
			4 24" (610mm)
			5 30" (762mm)
			6 36" (915mm)
			7 42" (1067mm)
			8 48" (1220mm)
			9 60" (1524mm)
			10 72" (1829mm)

Actuating Force (max)
Pretravel (max)
Movement Diff. (max)
Total Travel (min)
Positive Overtravel Stop
Max Force on Actuator
Approx Weight

112 to 176 oz
.090" (2.29mm)
.050" (1.27mm)
.165" (4.19mm)
Yes
20 lbs
0.9 oz



TOGGLE SWITCH

11AT1 - 0 1

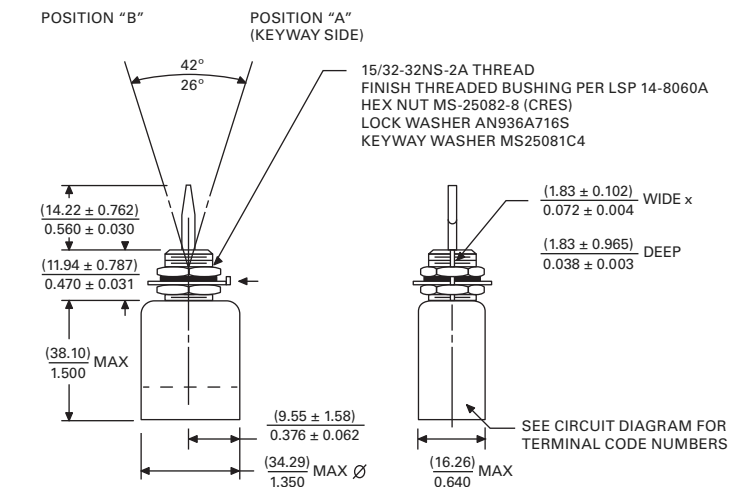
Basic Switch & Actuator/Body Style	Operation	Termination
11AT1	0 SPDT	1 Solder Pins
	1 SPST, N.C.	
	2 SPST, N.O.	

Actuating Force
Current Capacity (28Vdc)

112 to 176 oz
3.5A (res) / 1.5A (ind)

± 0.104
[2.64] MAX

Toggle Position	Toggle Action	Circuit
POSITION "A"	MAINTAINED	1 2 3
POSITION "B"	MAINTAINED	1 2 3



TOGGLE SWITCH, SP3T

12AT1 - 3 1

Basic Switch & Actuator/Body Style	Operation	Termination
12AT1	3 SP3T	1 Solder Pins

Actuating Force
Current Capacity (28Vdc)

16 to 64 oz
3.5A (res) / 1.5A (ind)

Toggle Position	Toggle Action	Circuit
POSITION "A"	MAINTAINED	1 3 4 2
CENTER	MAINTAINED	1 3 4 2
POSITION "B"	MAINTAINED	1 3 4 2