



- Balanced armature design
  - Hermetically sealed, mechanical interlock
- 
- Designed to the performance standards of MIL-PRF-6106
- 

## PRINCIPLE TECHNICAL CHARACTERISTICS

- |   |  |
|---|--|
| • Contacts rated at                     | 28 Vdc; 115 Vac, 400Hz, 1 Ø 115/200<br>Vac, 400 Hz, 3Ø |
| • Weight                                | 2.9 lb max   |
| • Dimensions                            | 6.21in x 3.80in x 2.70in                               |
| • Special units available upon request. |  |

### Application Notes:

101  
102  
103F  
007

## CONTACT ELECTRICAL CHARACTERISTICS

Contact rating per pole and load type [1]	Load current in Amps				
	28 Vdc	115 Vac 400 Hz	115/200 Vac 400 Hz 3Ø	115 Vac 60 Hz	440 Vac 60 Hz DELTA
Resistive	50	50	50	30	15
Inductive [4]	50	50	50	30	15
Motor	50	50	50	15	12
Intermediate current	5	5	5	15	-
Load transfer [3]	-	-	50	-	-

### COIL CHARACTERISTICS (Vdc)

CODE	Vdc	115 Vac 60/400 Hz	Suppressed Vdc [2]
Nominal operating voltage	28	115	28
Maximum operating voltage	29	124	29
<b>Pick-up voltage, max.</b>			
- Nominal	18	90	18
- High temp test	21	100	21
- Continuous current test	22.5	104	22.5
Drop-out voltage, max.	7	40	7
Coil resistance ohms $\pm 10\%$ at +25° C	50	-	50
Coil current max. mA at +25° C	-	200	-

### GENERAL CHARACTERISTICS

Temperature range	-70°C to +125°C
Minimum operating cycles (life) at rated load	50,000
Minimum operating cycles (life) at 25% rated load	100,000
<b>Dielectric strength at sea level</b>	
- Coil to case	DC 1,250 Vrms AC 1,500 Vrms
- Auxiliary contacts	DC 1,250 Vrms AC 1,500 Vrms
- All other points	DC 1,250 Vrms AC 1,800 Vrms
Dielectric strength at altitude 80,000 ft	700 Vrms
Insulation resistance (at 500 Vdc) minimum	100 M $\Omega$ min
Sinusoidal vibration (70-1500 Hz)	15G
Shock (6-9 millisecond duration)	50G
Maximum contact opening time under shock or vibration	2 ms
<b>Operate time at nominal voltage</b>	
DC	30 ms max
AC	30 ms max
<b>Release time at nominal voltage</b>	
DC	10 ms max
AC	50 ms max
Contact bounce at nominal voltage	2 ms max [1]

Unless otherwise noted, the specified temperature range applies to all relay characteristics.

## NUMBERING SYSTEM

LEACH PART NO.	DESCRIPTION	MS NUMBER	MOUNTING STYLE [4]	SCHEMATIC DIAGRAM [4]
9125-10497	3 PDT-NO, 50 AMP, DC COIL	-	1	1
9125-10498	3 PDT-NO, 50 AMP, DC COIL, SUPPRESSED	-	1	2
9125-10499	3 PDT-NO, 50 AMP, DC, AC COIL	-	1	1
9125-10500	3 PDT-NO, 50 AMP, AC COIL	-	1	1
9125-2Z-C7C4-001	3 PDT-NO, 50 AMP, DC COIL, AUX CONTACTS	-	2	3
9125-10341	3 PDT-NO, 50 AMP, DC COIL, SUPPRESSED, AUX CONTACTS	-	2	4
9125-2Z-C7D03-001	3 PDT-NO, 50 AMP, AC COIL, AUX CONTACTS	-	2	3
9125-10501	3 PDT-NO, 50 AMP, DC, AC COIL, AUX CONTACTS	-	2	3
9125-10502	6 PST-NO, 50 AMP, DC COIL	-	3	5
9125-10503	6 PST-NO, 50 AMP, DC COIL, SUPPRESSED	-	3	6
9125-10504	6 PST-NO, 50 AMP, DC COIL, AUX CONTACTS	-	4	7
9125-10505	6 PST-NO, 50 AMP, DC COIL, SUPPRESSED, AUX CONTACTS	-	4	8
9125-10506	6 PST-NO, 50 AMP, AC COIL	-	3	5
9125-10507	6 PST-NO, 50 AMP, AC COIL, AUX CONTACTS	-	4	7

Special models available upon request, please contact factory.

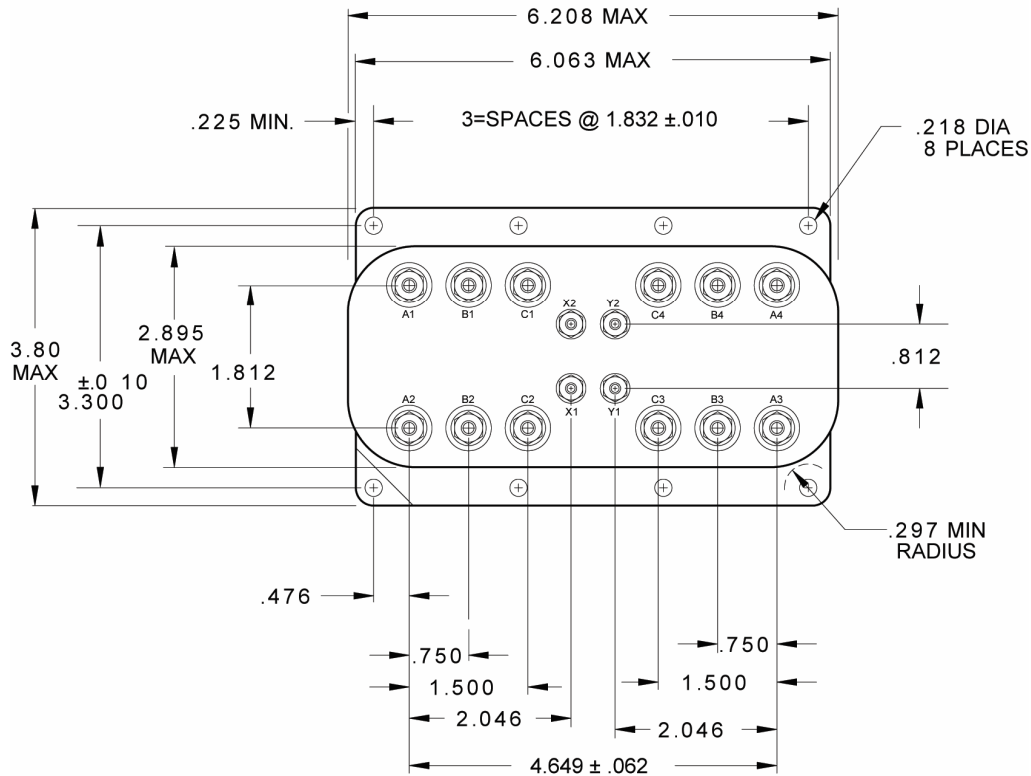
### Notes

- Auxiliary contact rating:  
Resistive and inductive: (28 Vdc or 115 Vac) 5 Amp  
Lamp: (28 Vdc or 115 Vac) 1 Amp  
Bounce at nominal voltage: .004 sec max
- Suppressed coils have back EMF suppression to 42 Vdc.
- Suitable for transfer between unsynchronized AC power at ratings indicated.
- Inductive load life is 20 percent of rated resistive load life.

## CONFIGURATIONS

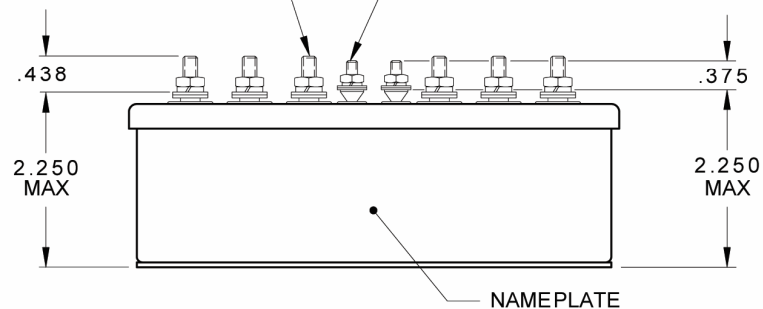
Dimensions in inches  
Tolerances, unless otherwise specified, XX ± .03, .XXX ± .01

### FIGURE 1



STUD, #10-32 UNF-2A  
NUT, MS35650-305T  
LOCKWASHER, MS35338-43  
FLATWASHER, AN961-10T, QTY 2  
12 PLACES

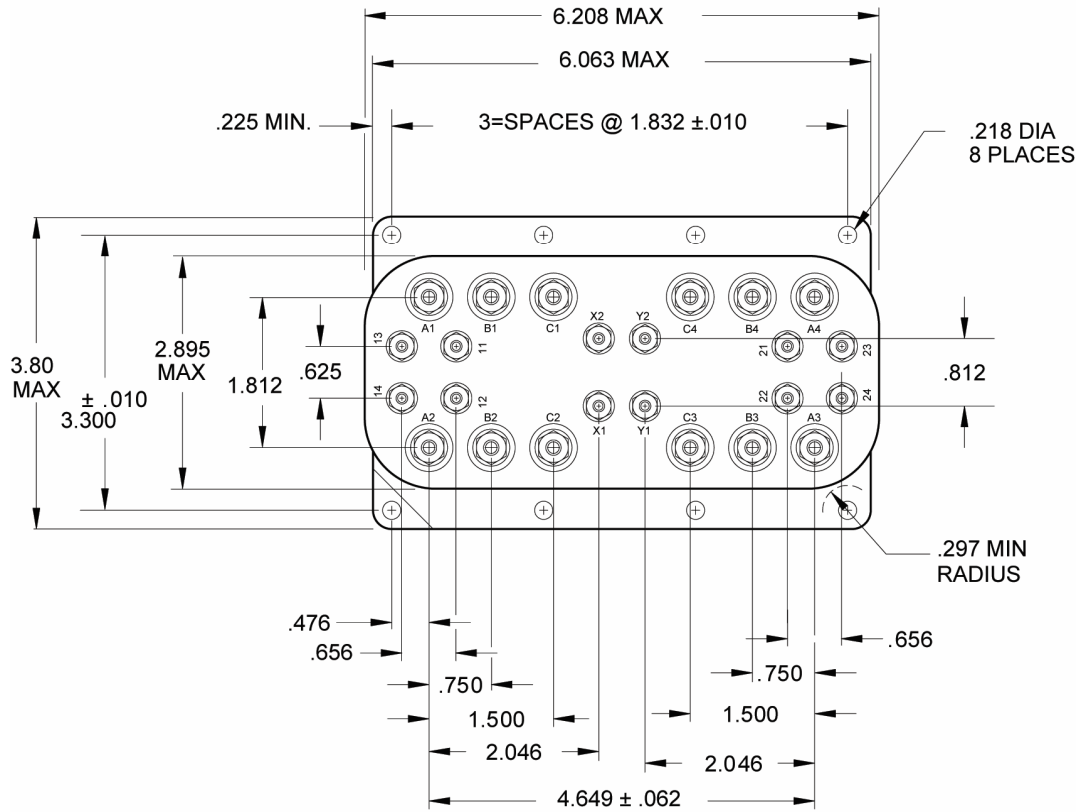
STUD, #6-32 UNC-2A  
NUT, MS35649-265T  
LOCKWASHER, MS35338-41  
WASHER, AN961-6T, QTY 2  
4 PLACES



MODEL NUMBER	WEIGHT (MAX)
9125-10497	2.7 LB
9125-10498	2.7 LB
9125-10499	2.7 LB
9125-10500	2.7 LB

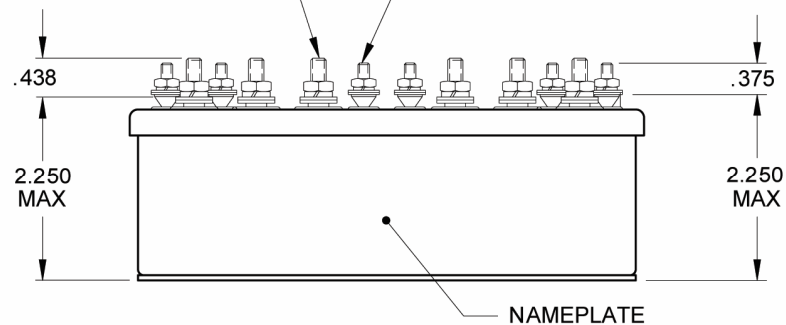
## FIGURE 2

Dimensions in inches  
Tolerances, unless otherwise specified, XX ± .03, .XXX ± .01



STUD, #10-32 UNF-2A  
NUT, MS35650-305T  
LOCKWASHER, MS35338-43  
FLATWASHER, AN961-10T, QTY 2  
12 PLACES

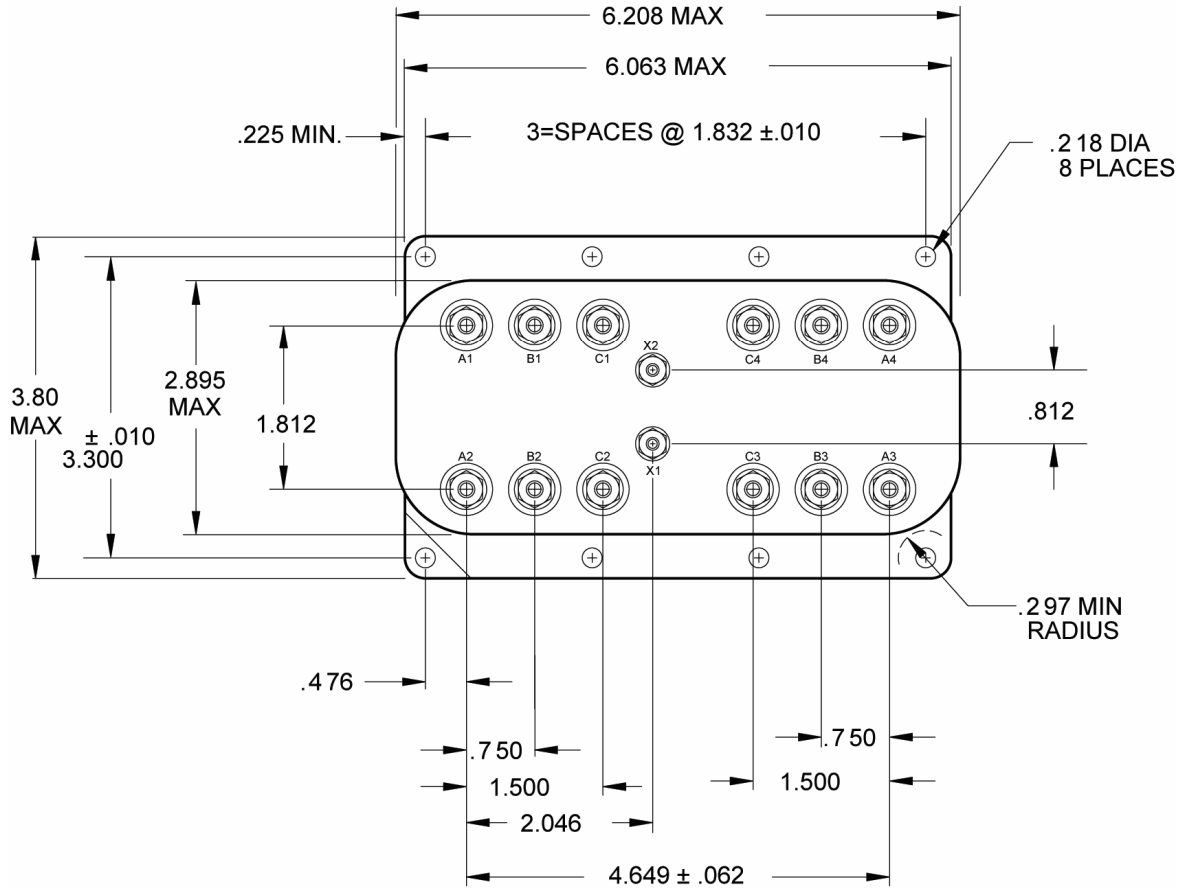
STUD, #6-32 UNC-2A  
NUT, MS35649-265T  
LOCKWASHER, MS35338-41  
WASHER, AN961-6T, QTY 2  
12 PLACES



MODEL NUMBER	WEIGHT (MAX)
9125-10341	2.9 LB
9125-10501	2.9 LB
9125-2Z-C7C4-001	2.9 LB
9125-2Z-C7D3-001	2.9 LB

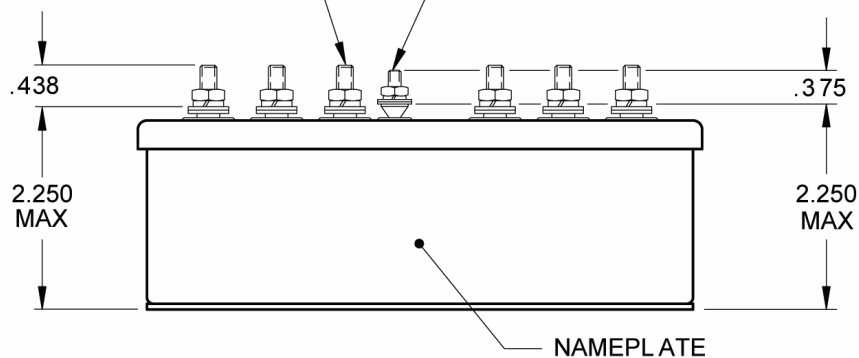
## FIGURE 3

Dimensions in inches  
Tolerances, unless otherwise specified, XX ± .03, .XXX ± .01



STUD, #10-32 UNF-2A  
NUT, MS35650-305T  
LOCKWASHER, MS35338-43  
FLATWASHER, AN961-10T, QTY 2  
12 PLACES

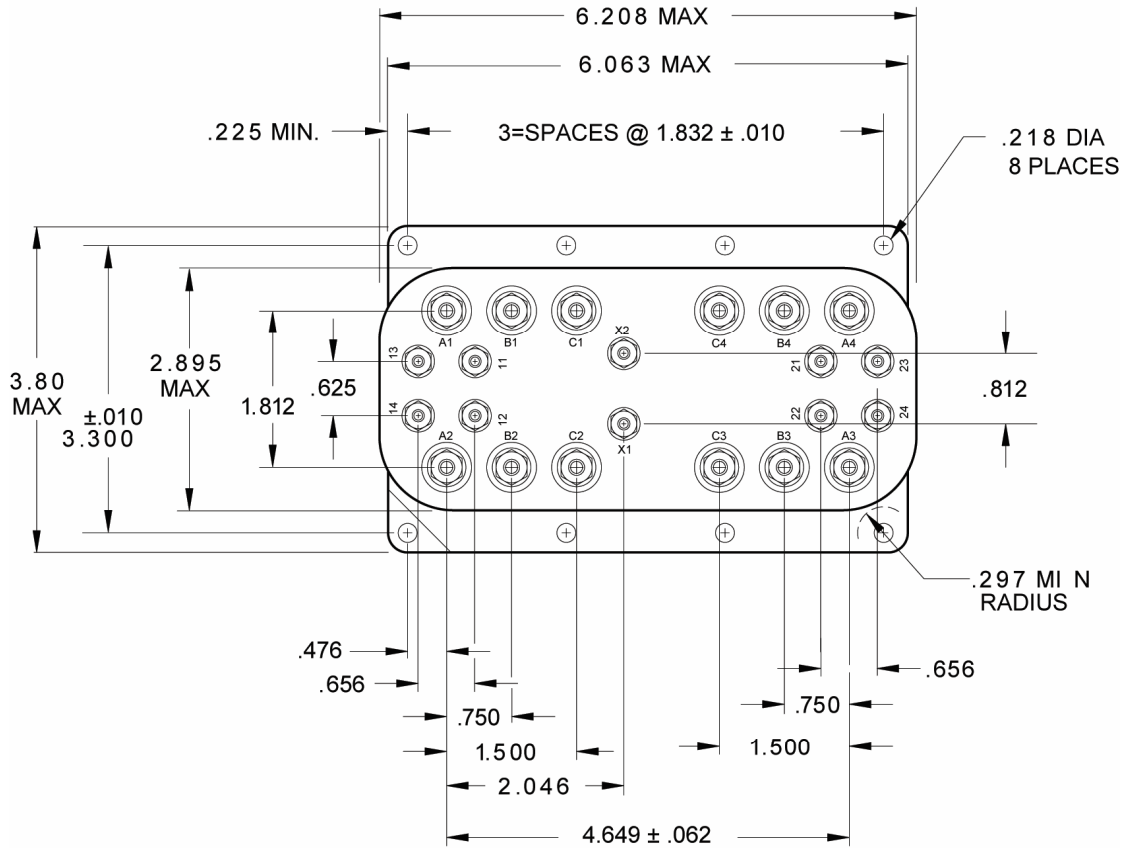
STUD, #6-32 UNC-2A  
NUT, MS35649-265T  
LOCKWASHER, MS35338-41  
WASHER, AN961-6T, QTY 2  
2 PLACES



MODEL NUMBER	WEIGHT (MAX)
9125-10502	2.7 LB
9125-10503	2.7 LB
9125-10506	2.7 LB

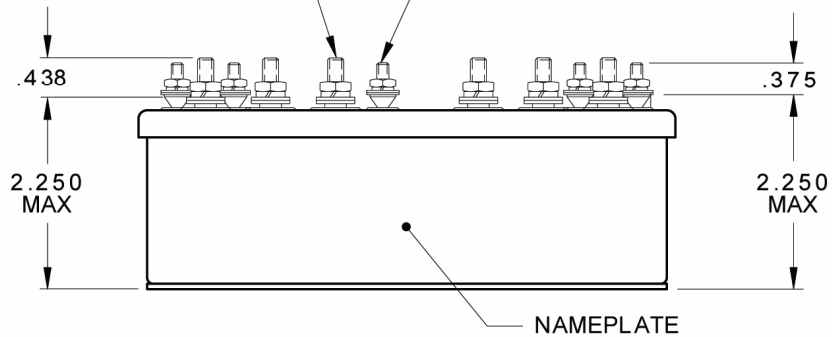
## FIGURE 4

Dimensions in inches  
Tolerances, unless otherwise specified, XX ± .03, .XXX ± .01



STUD, #10-32 UNF-2A  
NUT, MS35650-305T  
LOCKWASHER, MS35338-43  
FLATWASHER, AN961-10T, QTY 2  
12 PLACES

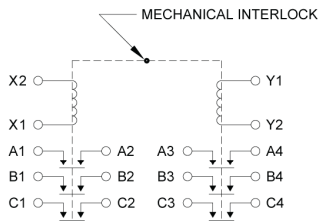
STUD, #6-32 UNC-2A  
NUT, MS35649-265T  
LOCKWASHER, MS35338-41  
WASHER, AN961-6T, QTY 2  
10 PLACES



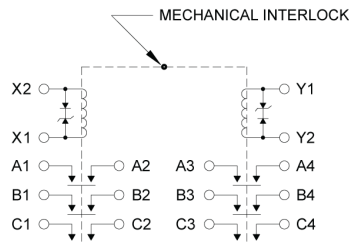
MODEL NUMBER	WEIGHT (MAX)
9125-10504	2.9 LB
9125-10505	2.9 LB
9125-10507	2.9 LB

## TERMINAL BARRIERS (OPTIONAL)

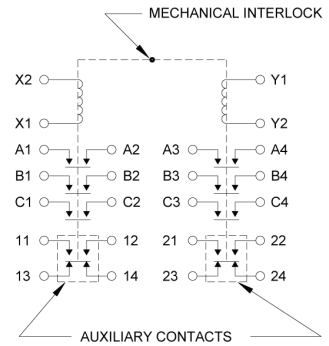
SCHEMATIC DIAGRAM #1



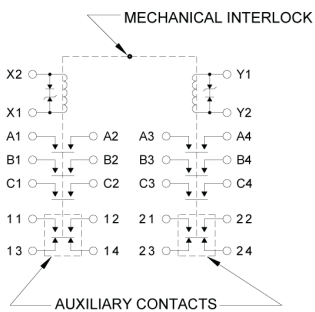
SCHEMATIC DIAGRAM #2



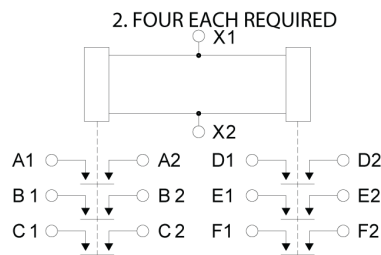
SCHEMATIC DIAGRAM #3



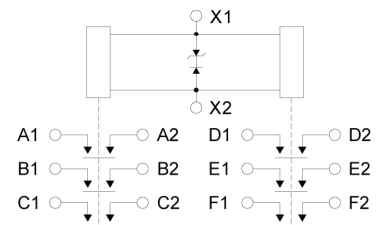
SCHEMATIC DIAGRAM #4



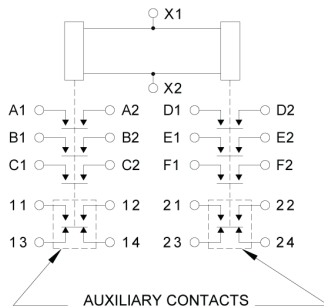
SCHEMATIC DIAGRAM #5



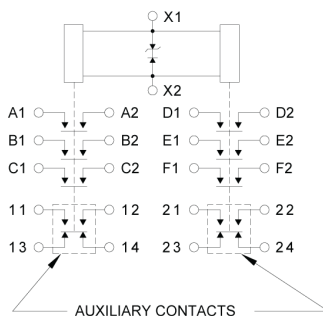
SCHEMATIC DIAGRAM #6



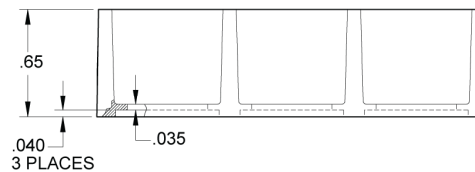
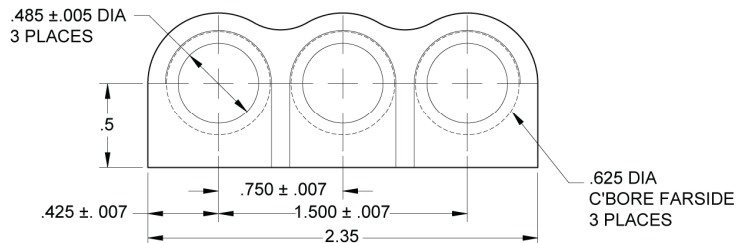
SCHEMATIC DIAGRAM #7



SCHEMATIC DIAGRAM #8



TERMINAL BARRIER (OPTIONAL)  
PART NUMBER: 001-1908-000



1. MATERIALS: DIALL FS-80 (BLACK)
2. FOUR EACH REQUIRED