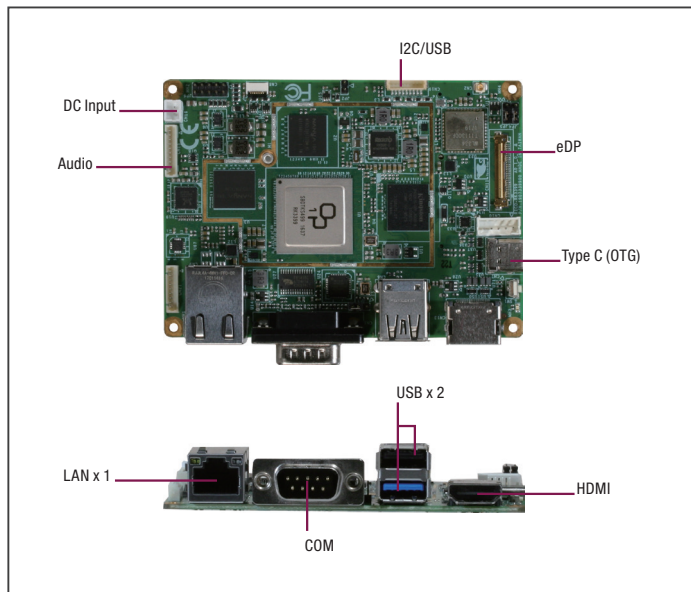


RICO-3399

Pico-ITX Fanless Board with Rockchip ARM Dual-Core Cortex-A72 and Quad-Core Cortex-A53

RISC Board



Features

- Rockchip RK3399 SoC
- Onboard LPDDR3 Memory 2GB
- Onboard eMMC 16GB
- MicroSD Slot
- Gigabit Ethernet x 1
- eDP and HDMI
- RS-232 x 1, RS-232/422/485
- USB 2.0 x 1, USB 3.2 Gen 1 x 1, Type C x 1

Specifications

System	
Form Factor	Pico-ITX
CPU	Rockchip RK3399 Cortex™-A72 Dual-core and Cortex™-A53 Quad-core(up to 1.8 GHz)
GPU	Mali-T864
Graphics	Video Decode: MPEG-1, MPEG-2, MPEG-4, H.263, H.264, H.265, VC-1, VP9, VP8, MVC Video Encode: H.264 UP to HP@level4.1, MVC and VP8
Memory Capacity	LPDDR3 2 GB
Storage/SSD	16GB eMMC and Micro SD card
Operating System	Android 7.1
Kernel	Kernel 4.4
Watchdog Timer	Integrated
Power Requirement	+12V DC input
Power Consumption (Typical)	0.6A@12V, full load, Hexa core
Dimension	3.94" x 2.84" (100 mm x 72 mm)
Gross Weight	0.88 lb (0.4 kg)
Operating Temperature	32°F ~ 140°F (0°C ~ 60°C)
Storage Temperature	-40°F ~ 176°F (-40°C ~ 80°C)
Operating Humidity	0% ~ 90% relative humidity, non-condensing
MTBF (Hours)	80,000
Certification	CE/FCC
Display	
HDMI	HDMI(2.0) up to 4k x 2k @60Hz
eDP	Up to 4k x 2k @60Hz
LVDS	—
MIPI	—
I/O	
Ethernet	GbE x 1
USB Port	USB 3.2 Gen 1 Type C x 1, USB 2.0 Type A x 1, USB 3.2 Gen 1 Type A x 1 USB 2.0 Pin Header x 1
Serial Port	RS-232/422/485 x 1, RS-232 Pin header x 1, Debug port pin header x 1
Audio	2.5W (by 4Ω) Speaker/ Microphone/ Earphone
GPIO	8-bit (4-in, 4-out)
Expansion Slot	Full-size mini-PCIe slot x 1 (For 3G/4G card)
SIM Slot	Nano-SIM
SD Socket	Supports Micro SD card
Camera	—



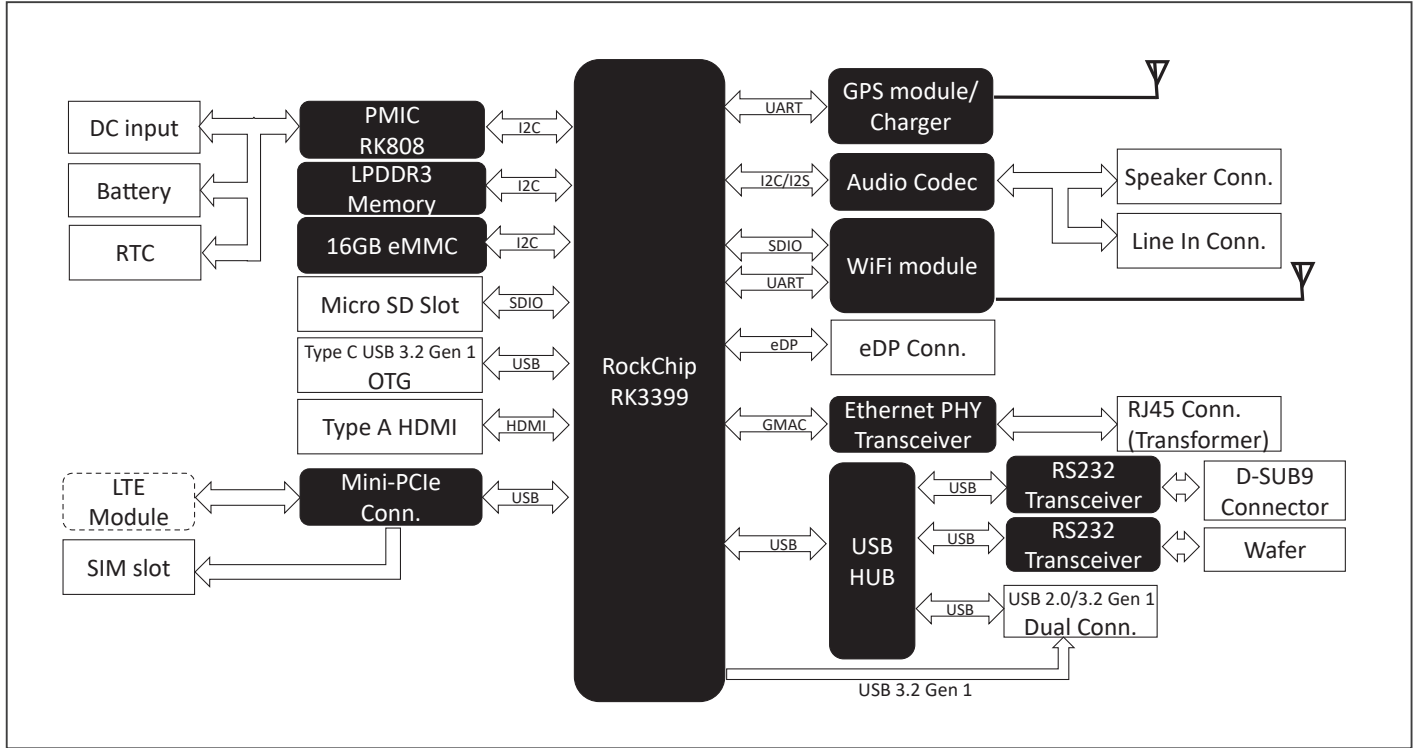
Packing List

- MB Power Cable
- RTC Battery
- RICO-3399

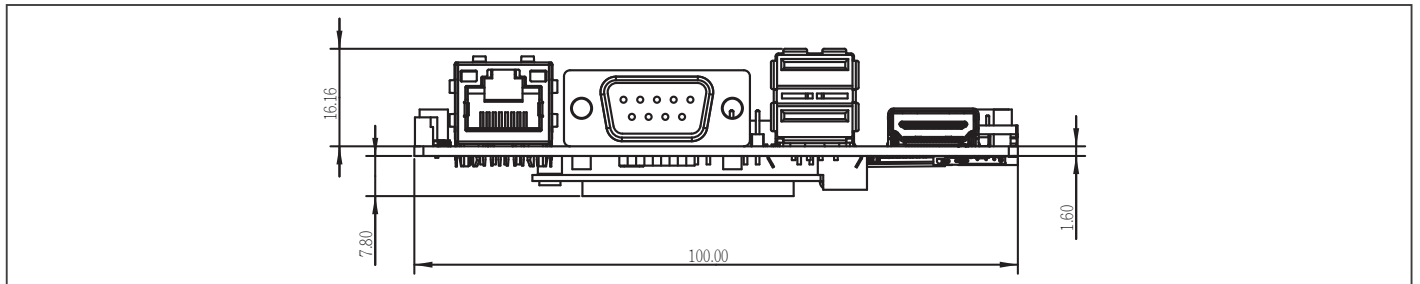
Optional Accessories

Part Number	Description	Qty.
1701090150	COM Cable, Length 15cm	1
1255300607	12V 60W Power Adapter	1
9697T41703-S	NFC Board	1
9697T47700-D	GPS & Battery Charger Board	1

Block Diagram Unit: mm



Dimension Unit: mm



Ordering Information

Part Number	CPU	RAM	Storage	Giga LAN	RS-232/422/485	USB	HDMI	WiFi & BT	LTE slot	Optional CAN BUS	Optional RS-232
RICO-3399-A10-0000	ARM Dual Cortex-A72 + Quad Cortex-A53	2GB LPDDR3	16GB eMMC	1	1	2	1	—	—	—	—
RICO-3399-A10-0001	ARM Dual Cortex-A72 + Quad Cortex-A53	2GB LPDDR3	16GB eMMC	1	1	2	1	802.11a & BT4.0	Supports 3G/4G Card	—	—