

**Applicable sockets:**  
SO-1063-9033/9034

**Application Notes:**  
101  
102  
103E  
007

- All welded construction

- Contact arrangement 1 PDT

- Qualified to MIL-PRF-6106 (JC Only)

## PRINCIPLE TECHNICAL CHARACTERISTICS

- Contacts rated at 28 Vdc; 115 Vac, 400 Hz, 1Ø

- Weight 0.10 lb max

- Dimensions 1.01in x .51in x 1.00in (JC)  
1.01in x .51in x 1.12 (JCA)

- Special models available upon request.

- Hermetically sealed, corrosion resistant metal can.

## CONTACT ELECTRICAL CHARACTERISTICS

Contact rating per pole and load type [1]	Load current in Amps		
	@28 Vdc	@115 Vac 400 Hz, 1Ø	@115/200 Vac, 60 Hz, 1Ø [9]
Resistive [6]	25	25	2.5
Inductive [5]	12	15	2.5
Motor	10	10	2
Lamp	4	4	1
Overload	50	80	N/A
Rupture	60	100	N/A

## COIL CHARACTERISTICS (Vdc)

CODE	A (VDC)	B (VDC)	C (VDC)	M (VDC)	N [7] (VDC)	E (400 Hz)	F (400 Hz)	J (50 Thru 400 Hz)	K (50 Thru 400 Hz)
Nominal operating voltage	28	12	6	48	28	28	115	28	115
Maximum operating voltage	29	14.5	7.3	50	29	30	122	30	122
Maximum pickup voltage									
- Cold coil at +125° C	18	9	4.5	36	18	22	90	23	95
- During high temp test at +125° C	19.8	9.9	5	38	19.8	24.4	95.4	24.6	100
Drop-out voltage (maximum)	7	4.5	2.5	14	7	10	30	10	30
Coil resistance $\Omega$ $\pm 10\%$ +25° C or max coil current (Amps) at +25° C	320 $\Omega$	80 $\Omega$	20 $\Omega$ +20% -10%	1000 $\Omega$	320 $\Omega$	.240A	.040A	.100A	.024A

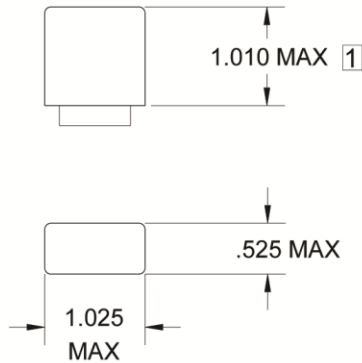
## GENERAL CHARACTERISTICS

Temperature range	-70°C to 125°C
Minimum operating cycles (life) at rated load	50,000
Minimum operating cycles (life) at 25% rated load	200,000
<b>Dielectric strength at sea level</b>	
- All circuits to ground and circuit to circuit	1250 Vrms
- Coil to ground	1000 Vrms
Dielectric strength at altitude 80,000 ft	500 Vrms [2]
<b>Insulation resistance</b>	
- Initial (500 Vdc)	100 M $\Omega$ min
- After environmental tests (500 Vdc)	50 M $\Omega$ min
Sinusoidal vibration (A and D mounting)	0.12 d.a. / 10 to 70 Hz 30G / 70 to 3000 Hz
<b>Random vibration</b>	
- Applicable specification	MIL-STD-202
- Method	214
- Test condition – A and D mounting	1G (0.4G <sup>2</sup> /Hz, 50 to 2000 Hz)
- Duration	15 minutes each plane
Shock (A and D mounting)	200G / 6 ms
Maximum contact opening time under vibration and shock	10 $\mu$ s
<b>Operate time at nominal voltage (either coil)</b>	
- Series JC	10 ms max
- Series JCA	15 ms max
<b>Release time at nominal voltage (either coil)</b>	
- Series JC	10 ms max
- Series JCA	50 ms max
Contact make bounce at nominal voltage @25°C	1 ms max
Contact release break bounce at nominal voltage @25°C	0.1 ms max [8]

Unless otherwise noted, the specified temperature range applies to all relay characteristics.

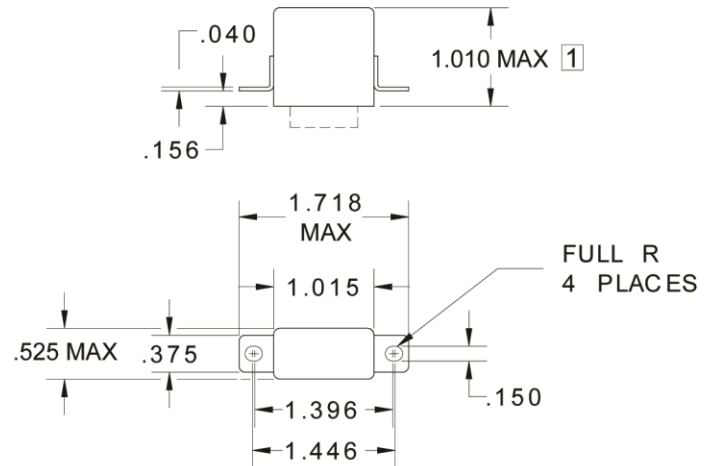
Dimensions in inches  
Tolerances, unless otherwise specified  
XX ± .03  
XXX ± .010

## MOUNTING STYLES



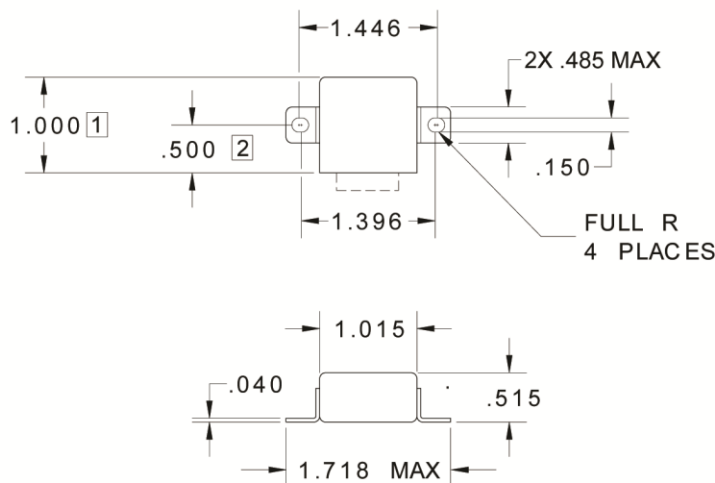
1 DIMENSION OF JCA IS 1.125 MAX.

### MOUNTING STYLE A



1 DIMENSION OF JCA IS 1.125 MAX

### MOUNTING STYLE D

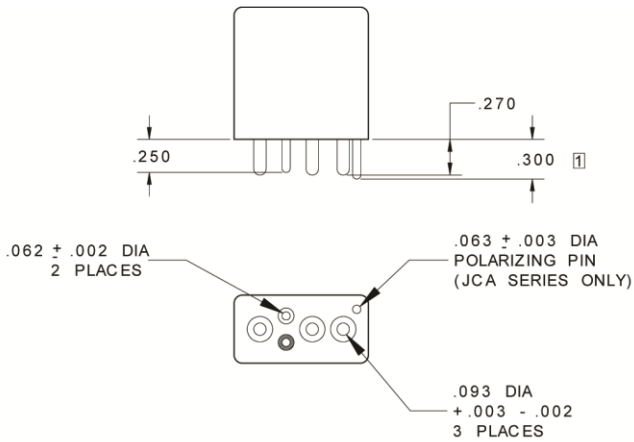


1 DIMENSION OF JCA IS 1.125 MAX.

2 DIMENSION OF JCA IS .550.

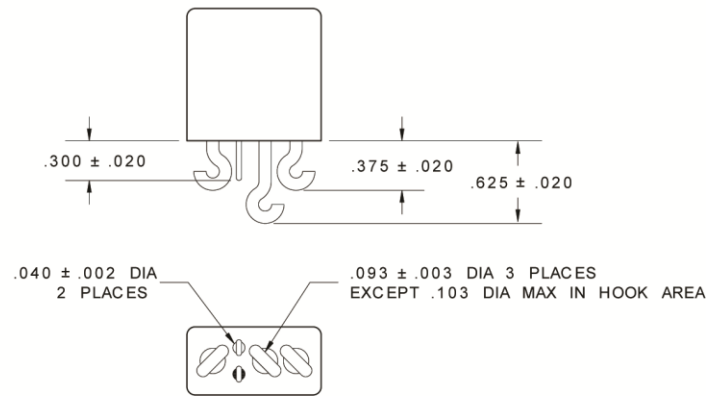
### MOUNTING STYLE J

## TERMINAL TYPES



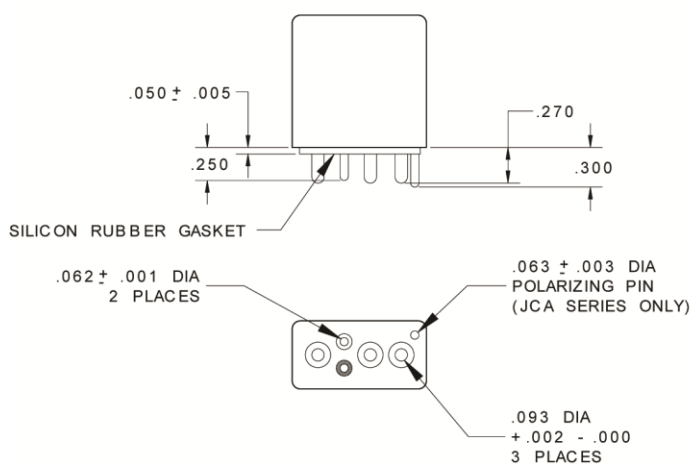
### TERMINAL TYPE 1

FINISH:  
CASE- PAINTED LEACH BLUE  
TERMINALS- TIN/ LEAD



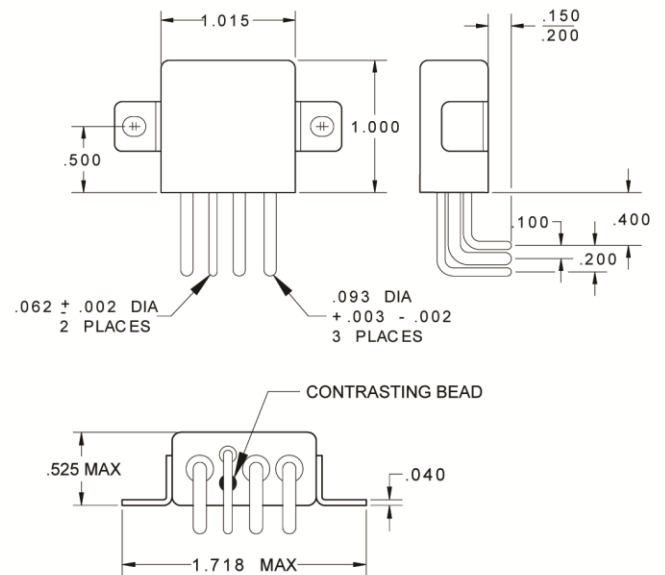
### TERMINAL TYPE 2

FINISH:  
CASE- PAINTED LEACH BLUE  
TERMINALS- TIN/ LEAD



### TERMINAL TYPE 4

FINISH:  
CASE- PAINTED LEACH BLUE  
TERMINALS- GOLD PLATED  
POLARIZING PIN- TIN/ LEAD



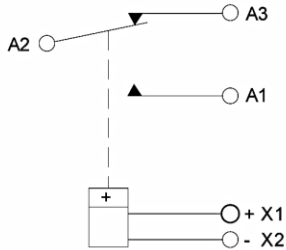
### TERMINAL TYPE 7

FINISH:  
CASE- PAINTED LEACH BLUE  
TERMINALS- TIN/ LEAD

## DIAGRAMS

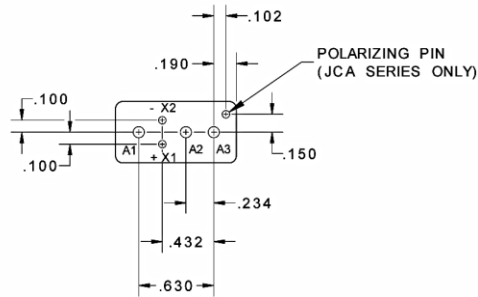
### SCHEMATIC DIAGRAM

COIL POLARITY NOT APPLICABLE TO AC VERSIONS



### STANDARD TERMINAL LAYOUT

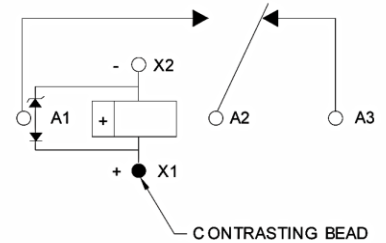
COIL POLARITY NOT APPLICABLE TO AC VERSIONS



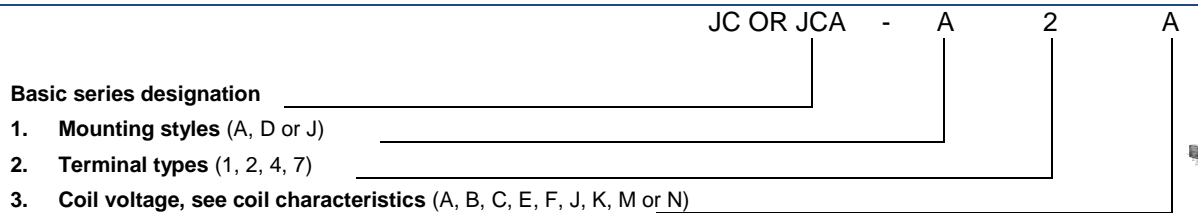
TOL: .XX ±.03; .XXX ±.010

### WIRING DIAGRAM

COIL POLARITY NOT APPLICABLE TO AC VERSIONS



## NUMBERING SYSTEM



## NOTES

1. Standard Intermediate current test applicable
2. 500 Vrms with silicone gasket compressed, 350 Vrms all other conditions.
3. Applicable military specification: MIL-PRF-6106 and M6106/19.
4. Special models available dry circuit, established reliability testing, etc.
5. Inductive load life, 20,000 cycles for AC 10,000 cycles DC.
6. For full rated load, max temp and altitude use no. 12 wire or larger, solder hook relays to be mounted to limit mounting bracket temperature to 160° C for JC series and 135° C for JCA series.
7. "N" coil has back EMF suppression to 42 volts maximum.
8. Applicable to JCA, Applicable to JC with "N" coil only.
9. 60 Hz load life, 10,000 cycles.
10. Time current relay characteristics per MIL-PRF-83536.
11. JC series: Relay will not operate, but will not be damaged by application of reverse polarity to coil.

For any inquiries, please contact your local sales representative: leachcorp.com