

M900P, 8-inch Rugged Tablet

Rugged Tablet that Can Survive Any Environment and Get Real Work Done

M900P is a compact rugged tablet with robust set of features designed to withstand industrial use while providing high tech solutions that increase productivity, improve safety, and reduce operational costs. The processing power comes from Intel's Apollo Lake processor paired with genuine Intel graphics for high performance. The tablet features a brilliant projective capacitive touch screen, which is outdoor viewable and offers 1280 x 800 pixel resolution. Weighing at just 2.2 pounds (approx. 900 grams) the M900P delivers lightweight mobility in a rugged tablet.



Highlights

- Intel® Pentium N4200 Apollo Lake processor
- 8" daylight readable panel with direct optical bonding
- Default D-sub for vehicle gateway connection
- Optional EMV/MSR reader
- IP65 waterproof and dustproof
- Optional Barcode Scanner and RFID Reader

| Order Information | | | |
|--------------------------|---------------------------|---------------------|---------------------|
| 4G/ LTE | 1D/2D Barcode Reader (BH) | HF RFID Reader (HF) | EMV/MSR Reader (SC) |
| M900P (Not available) | M900P-BH | M900P-HF | M900PT |
| M900P-LA (North America) | M900P-LABH | M900P-LAHF | M900PT-LA |
| M900P-LE (Europe) | M900P-LEBH | M900P-LEHF | M900PT-LE |

Note: Barcode Reader and RFID Scanner are mutually exclusive options.



M900P, 8-inch Rugged Tablet

Rugged Tablet that Can Survive Any Environment and Get Real Work Done

Display Specification

| | |
|----------------|----------------------------------|
| Size | 8-inch |
| Resolution | 1280x800 |
| Brightness | 510 nit ¹ |
| Viewing Angle | 85/85/85/85 |
| Touch | Multi touch projected capacitive |
| Contrast Ratio | 800:1 |

System Specification

| | |
|------------------|---|
| Processor | Intel® Pentium N4200 Processor 1.10 GHz, up to 2.50 GHz with turbo boost technology |
| System Memory | 4 GB LPDDR4 ² |
| Storage | 64 GB solid state drive (SSD) |
| Operating System | Windows 10 IoT Enterprise (64 bit) |

Interface

| | |
|-------------------|--|
| Docking Connector | 1 x 19-pin docking connector |
| USB | 1 x USB3.0 (Type-A), 1 x USB3.0 (Type-C) |
| Audio Connector | 1 x Audio Combo connector (Mic in or Line Out) |
| Power Input | 1 x Power Jack |
| D-Sub | 1 x 15-pin D-sub connector |

Audio

| | |
|------------|---|
| Microphone | Built-in dual Digital Mic with Noise Cancellation |
| Speaker | 2 x 1 Watt speaker |

Camera

| | |
|--------------|--|
| Front Camera | 2MP Webcam |
| Rear Camera | 8MP Rear Camera with Autofocus and LED Light |

Data Capture

| | |
|---------|---|
| EMV/MSR | MSR & Contact EMV Card Reader (Optional) |
| Barcode | 1D/2D Barcode Scanner (Optional) ³ |
| RFID | RFID Reader (Optional) ³ |

Wireless Communications

| | |
|-----------|-------------------|
| WLAN | 802.11 a/b/g/n/ac |
| WWAN | 4G/LTE (Optional) |
| Bluetooth | Bluetooth 5.0 |
| GNSS | GPS, GLONASS |

Keyboard and Input

| | |
|----------------|---|
| Buttons | <ul style="list-style-type: none">On-screen QWERTY KeyboardButtons: 1 x Power, 1 x Home, 3 x function key (Programmable function key configured by Hottab Utility) |
| LED Indicators | Power, Charging Indicator, HDD, RF |
| Touch | 10-point multi touch |

Security Function

| | |
|----------|---------------------------------------|
| Security | TPM v2.0, computrace ready (Optional) |
|----------|---------------------------------------|

Standards and Certification

| | |
|-----|-----------------------------------|
| EMC | CE, FCC |
| IoT | Microsoft Azure Certified for IoT |

Mechanical and Environment

| | |
|-----------------------|--|
| Dimensions | 225 x 148 x 20.5 mm (10 x 7.76 x 0.8 inches) ⁴ |
| Weight | 0.9 kg with battery |
| Operating Temperature | -20°C to 60°C (AC mode), -10°C to 50°C (Battery mode) |
| Storage Temperature | -30°C to 70°C (-22°F to 158°F) |
| Humidity | 10% to 90% RH, non-condensing |
| IP Rating | IP65 certified, dustproof and waterproof |
| Shock | MIL-STD-810G Method 516.6 Procedure I |
| Vibration | MIL-STD-810G Method 514.6 Procedure I |
| Drop | MIL-STD-810G Method 516.6, 5 ft to concrete |

Power Management

| | |
|------------------------|---|
| Power Input | 19V DC, 3.24A |
| Battery | 7.6V, typ. 4200 mAh Li Polymer Battery (2S2P) |
| Battery Operating Time | 7 hours |
| AC Adapter | 100-240V, 50~60Hz |

Accessories⁵

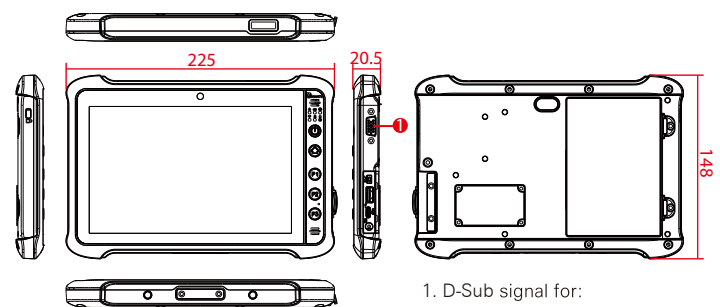
Standard Accessories

| | |
|------------------------|--------------|
| Adapter and Power Cord | 922D065W19V1 |
| Standard Battery Pack | 98KA00000002 |
| Capacitive Stylus | 9B0000000415 |

Optional Accessories

| | |
|-----------------|--------------|
| Desk Dock | 98DA00000001 |
| Vehicle Gateway | 98DA00000003 |
| Vehicle Cradle | 98DA00000002 |
| Battery Charger | 98JA00000001 |
| Carry Bag | 9B000000003J |
| Hand Strap | 98KA00000003 |

Drawing⁶



Do Not Expose the Battery Pack to Excessive Heat, or Extreme Heat (Near Fire, in Direct Sunlight for example)
Caution Do not expose bare skin to this product when handling this unit in extreme hot or cold environments

- Measured at dimming LCD brightness. Varies depending on the usage conditions, or when an external device is attached.
- Total usable memory will be less depending upon actual system configuration.
- Barcode Reader and RFID Scanner are mutually exclusive options.
- Length measurements do not include protrusions. Weight varies with options.
- Accessories and Integrated Options may vary depending on your configuration.
- This is a simplified drawing and some components are not marked in detail.