

LSC

Linear Potentiometer

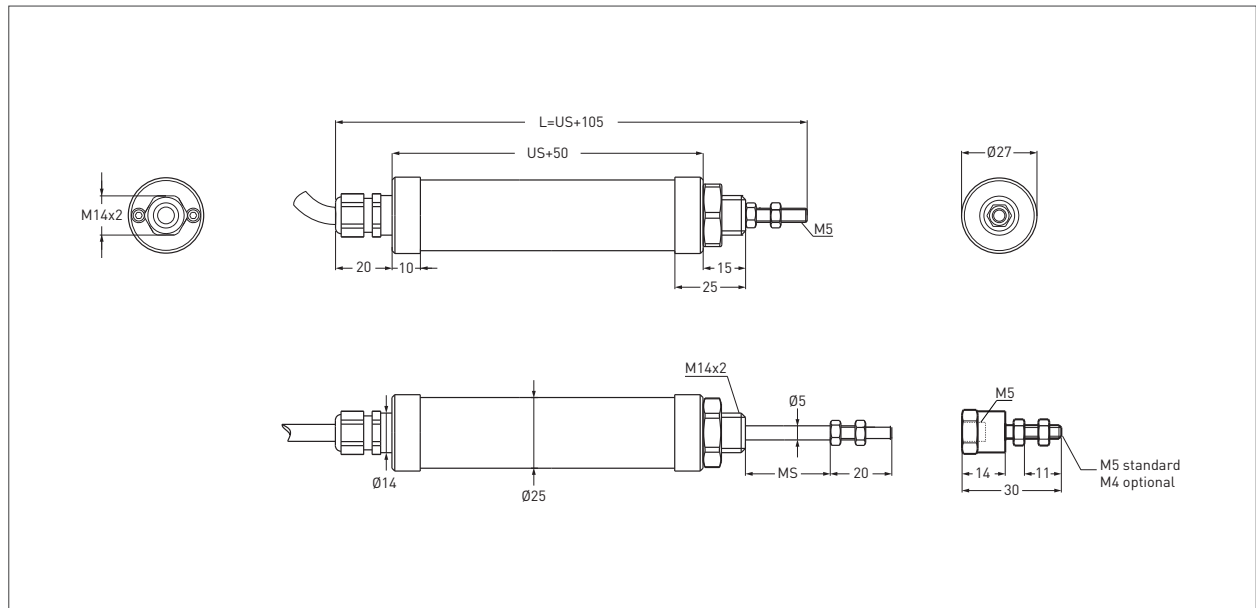
Long Stroke Series 25 - 400 mm



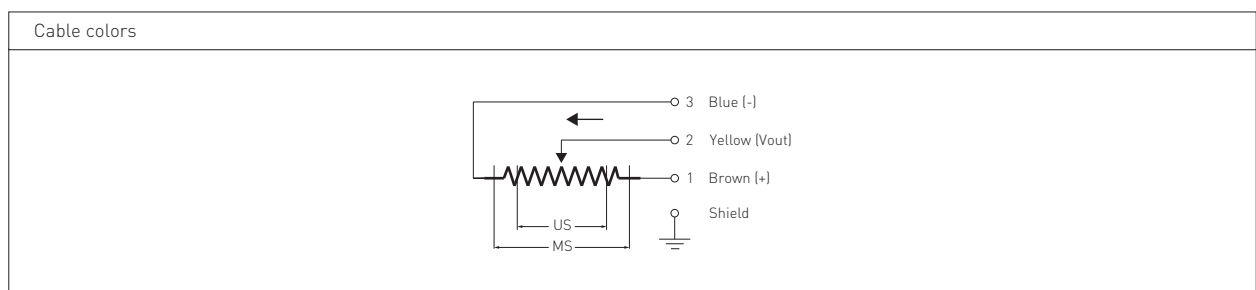
1. TECHNICAL SPECIFICATIONS

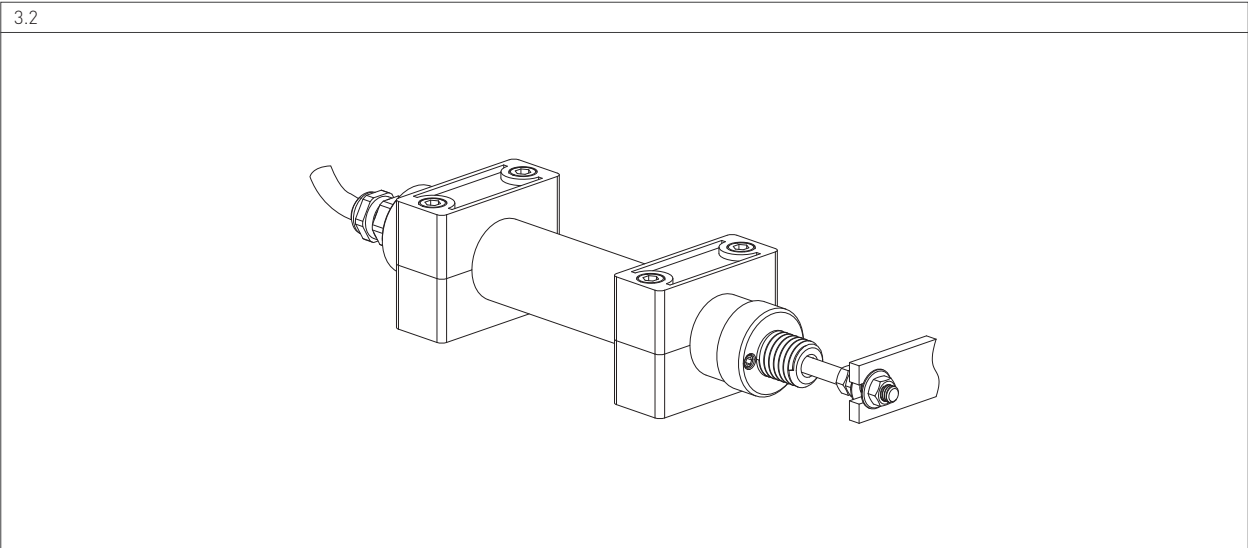
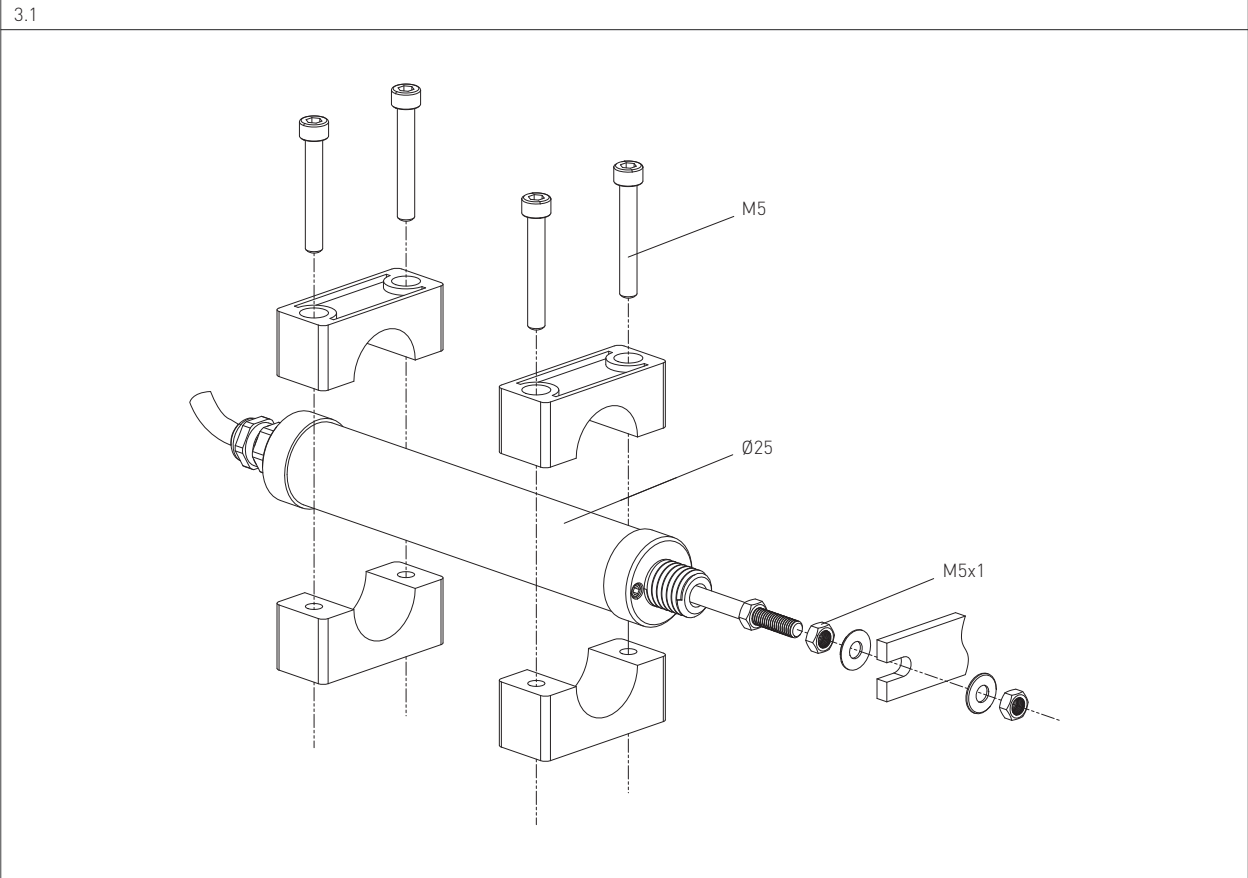
Measurement stroke	25 - 400 mm
Resolution	Infinite
Repeatability	< 0.01 mm
Permissible applied voltage	28 VDC max.
Electrical connections	Cable output (standard)
Displacement speed	< 5 m/s
Mechanical life	100 million movement
Protection level	IP 65
Resistance	2 kOhm: 25 - 50 mm 5 kOhm: 75 - 400 mm
Resistance tolerance	± %20
Load resistance	100 kOhm min.
Recommended wiper current	< 1 µA
Linearity	A: ±%0.5 (≤75 mm) B: ±%0.2 (100 - 125 mm) C: ±%0.1 (130 - 225 mm) D: ±%0.05 (≥250 mm)
Case dimensions	Ø25 mm
Body and case material	Anodized aluminium
Rod material	Stainless steel
Rod diameter	Ø5 mm
Operating temperature	-20°C ... +80°C
Storage temperature	-30°C ... +90°C

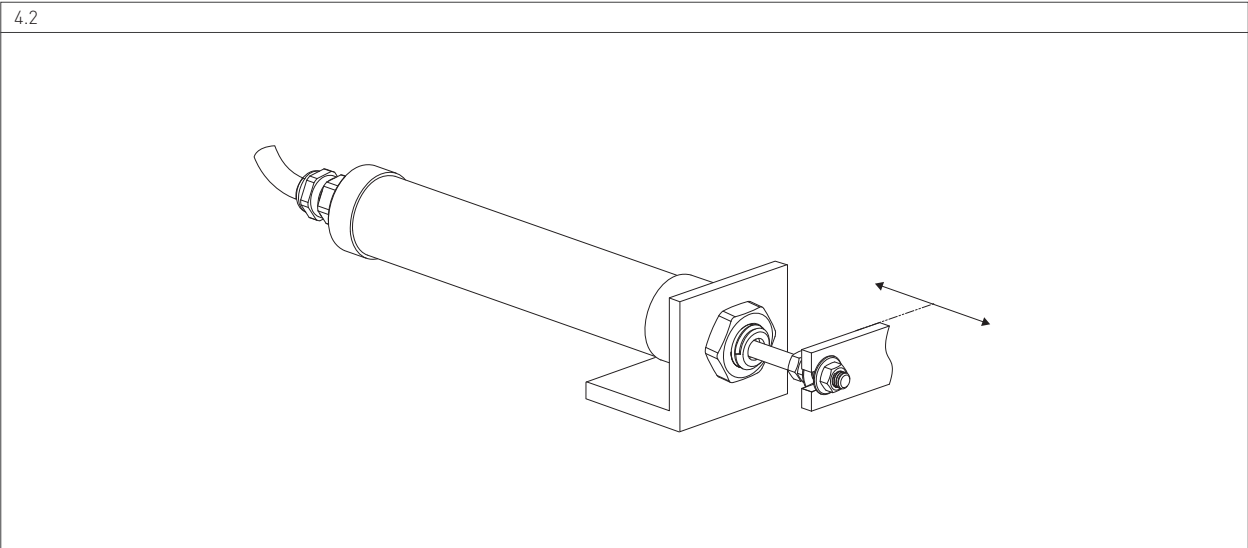
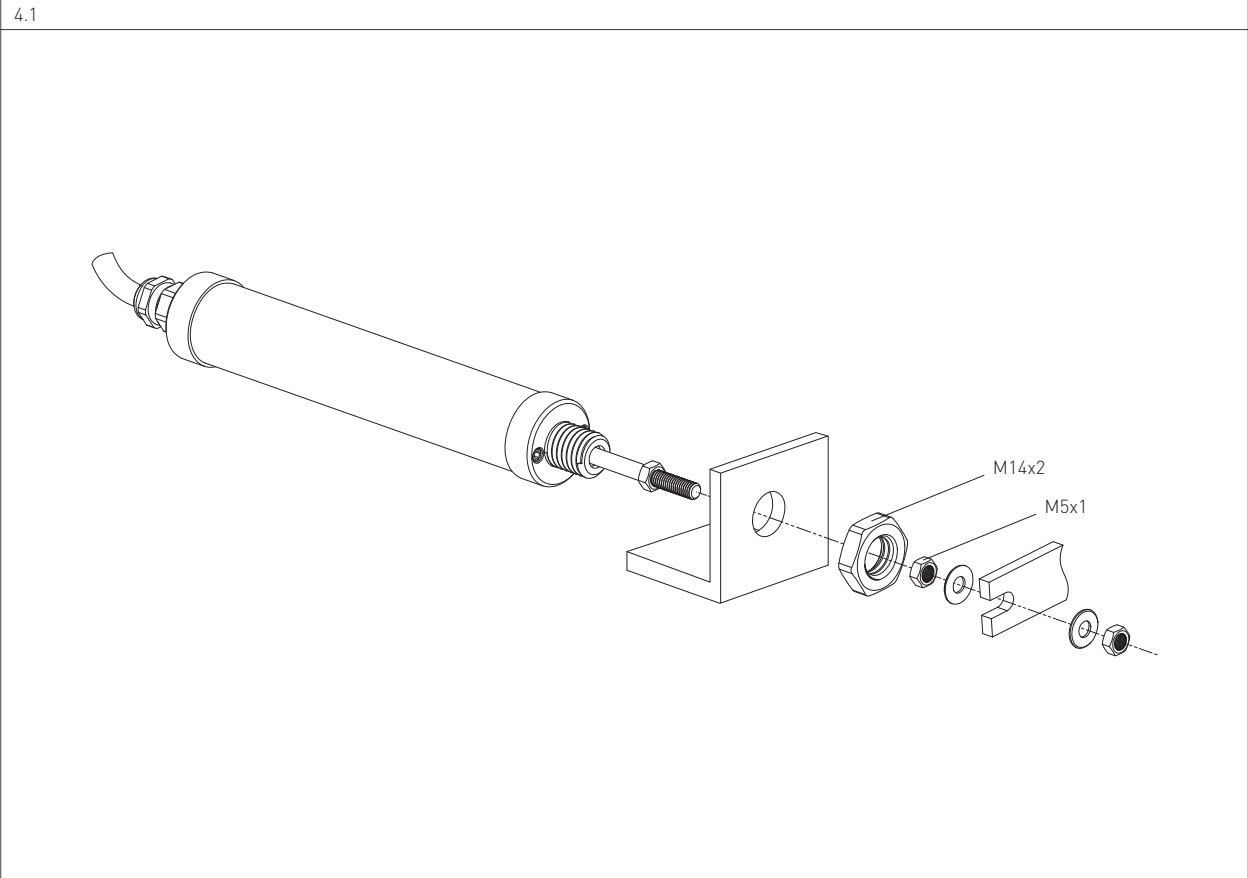
2. MECHANICAL SPECIFICATIONS



LSC (mm)	25	50	75	100	125	150	175	200	250	300	350	400
US (Usefull stroke)	25	50	75	100	125	150	175	200	250	300	350	400
MS (Mechanical stroke)	28	53	78	103	128	153	178	203	253	303	353	403
L (Total length)	130	155	180	205	230	255	280	305	355	405	455	505







5. ORDERING PROCEDURE



1	Model LSC: Linear Potentiometer Long Stroke Series
2	Measuring range 25 - 400 mm
3	Linearity A: $\pm 0.5\%$ (≤ 75 mm) B: $\pm 0.2\%$ (100 - 125 mm) C: $\pm 0.1\%$ (130 - 225 mm) D: $\pm 0.05\%$ (≥ 250 mm)
4	Resistance (kOhm) 2K: 2 kOhm (25 - 50 mm) 5K: 5 kOhm (75 - 400 mm)
5	Cable 1M: 1 meter cable (standard) 1M5: 1.5 meter cable (optional) 2M5: 2.5 meter cable (optional)

For example:

LSC	175	D	5K	1M
1	2	3	4	5



TÜRKİYE
Headquarter, R&D, Production

OPKON Optik Elektronik Kontrol Sanayi ve Ticaret A.Ş.
Terazidere Mah. 29 Ekim Cad. No:34 Bayrampaşa / İstanbul / TÜRKİYE
Phone : +90 (212) 501 48 63
Fax : +90 (212) 501 48 83
Web : www.opkon.com.tr
E-mail : export@opkon.com.tr

GERMANY
Subsidiary

SENSORMARKET GmbH
Graeffstrasse. 5, 50823 Köln / GERMANY
Phone : +49 22159495400
Fax : +49 22159495402
Web : www.sensormarker.eu
E-mail : sales@sensormarket.eu

CHINA
Subsidiary

DANZI Sense Technology
(Shanghai) Co., LTD. Room 123 - B, F/1, No. 1000 Ziyue Road, Minhang District, 200240 Shanghai / CHINA
Hotline : 400 8050 889
Phone : 021 - 64091719
Fax : 021 - 64091713
Web : www.opkonchina.com
E-mail : marketing@opkonchina.com

opkon.com.tr

Please note: The specifications and information in this datasheet may not cover all special demands arising from specific applications. Therefore, they do not constitute a comprehensive description of the product properties. OPKON accepts no responsibility for damages resulting from the improper application of our products. The user is responsible for ensuring that the products used are suitable for their own application.